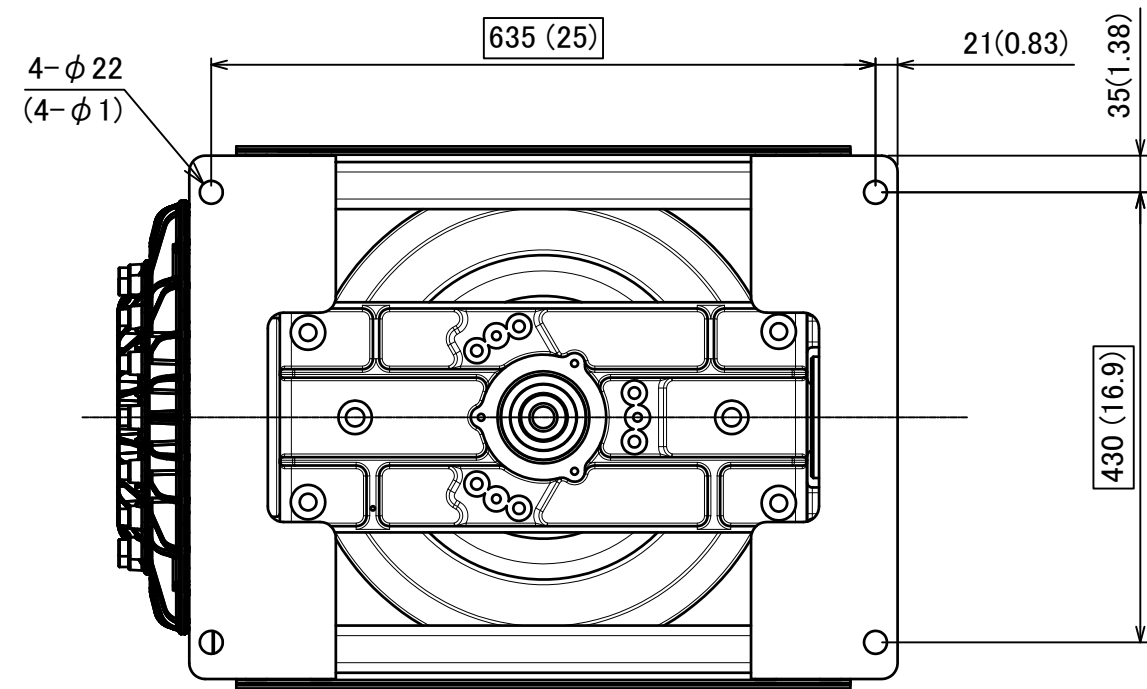
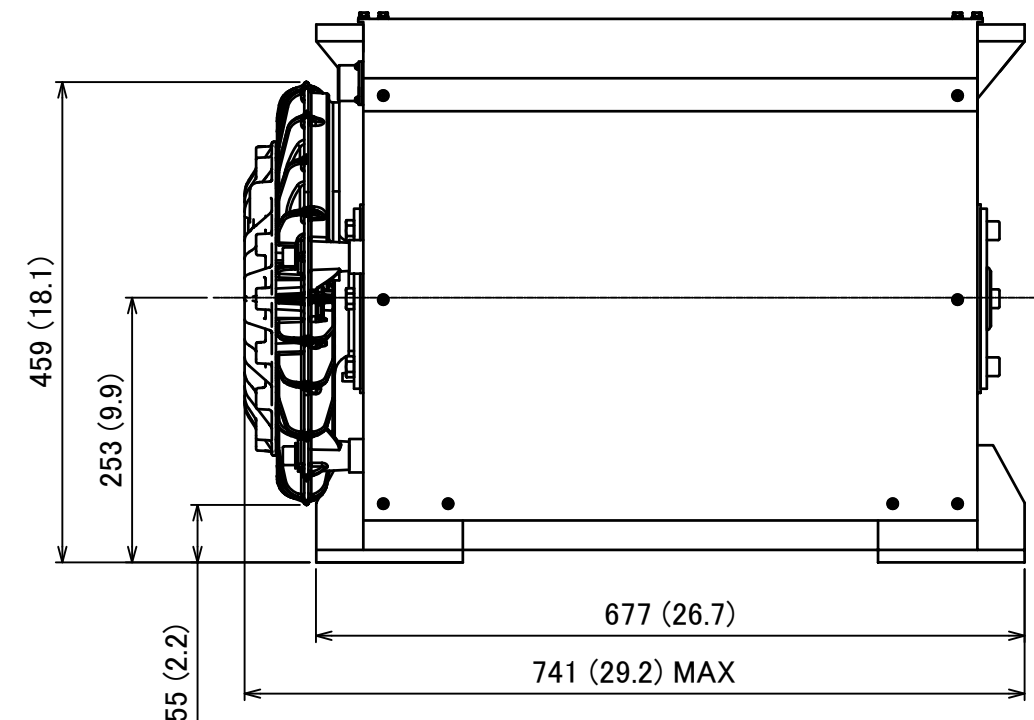
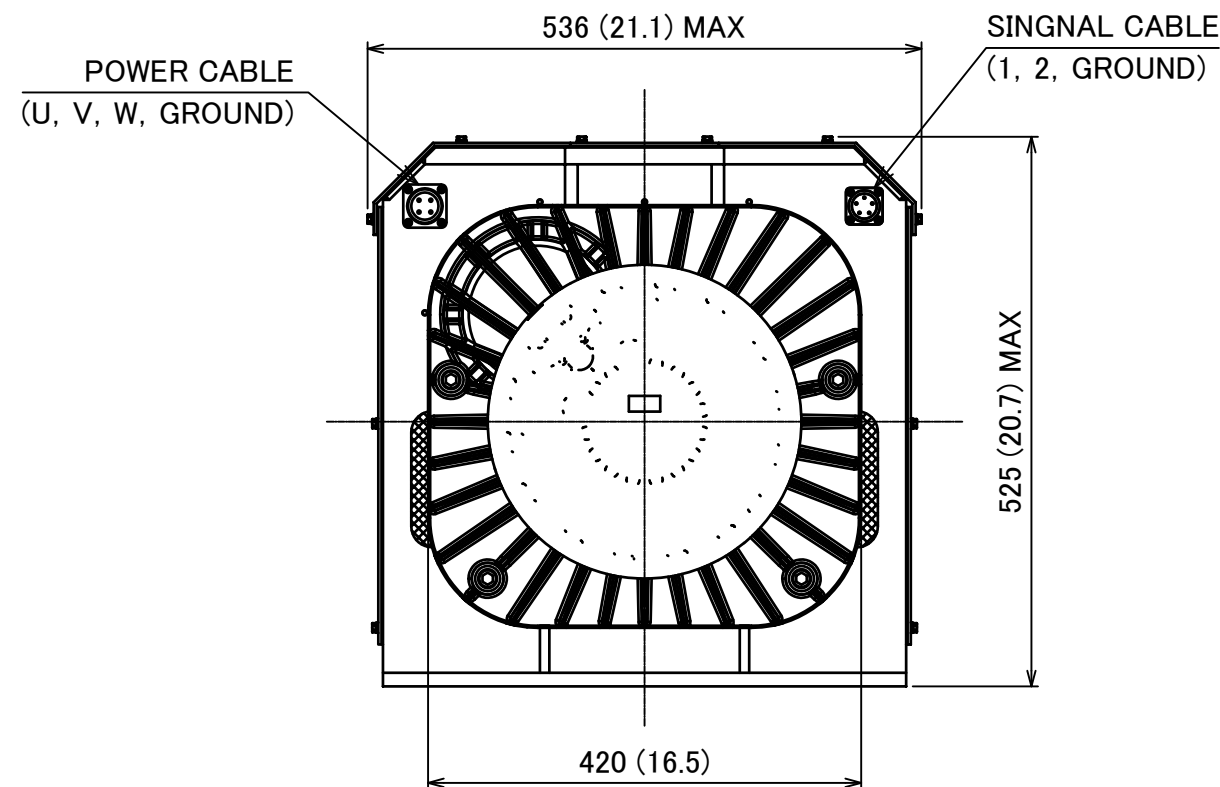


MSM-5000T/6500T-A1 specifications

Name	ARG50T	ARG65T
Model	MSM-5000T-A1	MSM-6500T-A1
Angular momentum	Approx. 1000Nms	Approx. 1300Nms
Anti-Rolling Torque	Approx. 5000Nm(MAX)	Approx. 6500Nm(MAX)
Dimensions	525mm(height) × 741mm(width) × 536mm(depth)	
Weight	Approx. 234kg/515lbs	
Rotational speed	Approx. 3200rpm	Approx. 4200rpm
Power consumption (Steady-state)	Approx. 0.7kVA / For @12VDC	Approx. 1.4kVA / For single-phase Power supply @210~240VAC
Power consumption (MAX)	Approx. 1.0kVA / For @12VDC	Approx. 1.8kVA / For single-phase Power supply @210~240VAC



VIEW A



↑ A

unit : mm (inch)

MSM-5000T/6500T-A1

名称 TITLE
Anti Rolling Gyro
MSM-5000T/6500T-A1