



ANTI ROLLING GYRO

ARG65T INSTALLATION MANUAL

ARG65T 取付要領書

Model : MSM-6500T-A1

型式 : MSM-6500T-A1

English version : page1 – page58

日本語 : P.59 ~ P.130

MOHMEI

Contents

	<u>Page</u>
Preface	2
Important Notice	3
1. Safety Precautions	5
1.1 Warning description	5
1.2 Warning labels.....	6
1.3 Precautions of installation/test run	7
2. Check of Products	8
2.1 After taking out the products from the shipping box	8
2.2 ARG unit.....	12
2.3 Motor Driver.....	15
3. Before installation	18
3.1 ARG Gyro torques (moment).....	18
3.2 Installation location and reinforcements for installation.....	19
4. Installation	23
4.1 Installation of the ARG unit	23
4.2 Installation of the Motor Driver	28
4.3 Wiring	31
5. Test Run	46
5.1 Before test run.....	46
5.2 Test Run	51
5.3 Restarting	52
5.4 Automatic Fast return functions	53
5.5 Safety functions.....	54
6. What to do in case of problems	55
7. Compliance with European standards	57
8. Compliance with Ignition Protection	58

Preface

This installation manual is for installation agent that is selected by the Sales Agent.

This installation manual summarized important information for proper installation of Anti Rolling Gyro (**ARG**). Please be sure to read this manual before installation.

Please be sure to submit this manual to customers who operate the **ARG**.

Important Notice

■ Purpose and Application of Use

- The **ARG** suppresses a rolling motion of the ship.
- The **ARG** applies a principle that the Gyro torque (force) is generated by inclination of the flywheel rotation at high speed.

■ General Information

- In order to safely install and operate the **ARG**
 - (a) Only the repairmen, who have received the specified training about the **ARG**, are permitted to perform the test run and inspection other than items mentioned in this manual.
 - (b) Before installation of the **ARG**, carefully read this manual of the **ARG** for comprehending the details. If starting the work with insufficient knowledge, it may cause the **ARG** failure or an accident resulting in injury or death.
 - (c) Do not disassemble and modify the **ARG** by yourself.
If the **ARG** is disassembled or modified by the user,
 - It may cause a decrease in the **ARG** performance.
 - It may endanger human life.
 - It may cause a health problem.
 - It may cause damage to the **ARG** or ship.
- Depending on the type of the ship, it may be necessary for you to use multiple **ARGs**. In this case, the methods of installation and electric wires are somewhat different from those described in this manual.
- Please observe the applicable governmental and local laws and regulations.
- Please observe the governmental and local regulations for exportation of the **ARG**.
- Please observe the governmental and local regulations for disposal of the **ARG**.

■ Important Information for Installation and Operation Safety

- The most important purpose of safety measures is to prevent the persons from an accident resulting in injury or death as well as to protect the **ARG** and ship from avoidable trouble.
- For preventing injury/death in an accident and the **ARG** from damage, follow the cautions, rules, and instructions described in this manual and attached operational instructions giving the top priority to safety. If ignored,
 - (a) It may endanger human life.
 - (b) It may cause a health problem.
 - (c) It may cause damage to the **ARG** or ship.

- Tohmei Industries co., Ltd. cannot foresee all possible danger existing in the **ARG**, resulting from human error, and in the environment where the **ARG** is used.

There are many “Musts”, “Can’ts” and “Don’ts”, and it is impossible to mention all in this manual, attached operation instructions, or warning labels.

Therefore, general safety measures must be taken in addition to the instructions described in this manual.

- Tohmei Industries co., Ltd. is not responsible for any damage and hindrance resulting from user’s carelessness or lack of required attention to the specified rules shown in this manual and attached operation instructions.

■ About Installation Manual

- This installation manual is written for native readers of English. When this **ARG** is handled by non-English-speaking people, give the people fully training on safety.
- The copyright of this manual is held and reserved by Tohmei Industries co., Ltd. No drawing and no technical description in this manual regardless of partial or whole may be published, reproduced, copied, photographed, translated, or transcribed into electronic medium without written permission of Tohmei Industries co., Ltd. in advance.
- The **ARG** may differ from the pictures and drawings shown in this manual.
- The contents of this manual may be changed without prior notice.
- Carefully keep this manual in a certain place so that anybody can read it as the need arises.
- If there are any questions or doubts, please contact the Sales Agent. (“Contact” (last page))



1 Safety Precautions

1.1 Warning description







■ Description of Labels

“Warning labels” and “Warning descriptions” in this manual warn expected dangerous situation that may occur during installation and operation.

If they are ignored, serious injuries or accidents corresponding to the respective warning sign may result. In extreme case, there is also a possibility of death, damage to the **ARG** or ship, and environmental fracture.

Warnings	Meanings of Warnings
IMPORTANT	Indicates “IMPORTANT” subjects that are observed in handling the ARG . If the ARG is handled with ignoring this indication, it could result in death or serious accident.
 DANGER	Indicates a dangerous situation. If ignored, it could result in death, serious injury, serious property damage or environmental damage.
 CAUTION	Indicates a dangerous situation. If ignored, it could result in minor injury, property damage or environmental damage.

■ Meanings of the symbols

Symbols	Meanings	Examples
 Prohibition sign	“⊘” indicates prohibition. Detail is shown in the inside of the symbol, or shown by illustration or sentence near the symbol. The right illustration means “ DO NOT DISASSEMBLE ”.	 (DO NOT DISASSEMBLE)
 Caution sign	“△” indicates danger or caution. Detail is shown in the inside of the symbol, or shown by illustration or sentence near the symbol. The right illustration means “ DANGER OF ELECTRIC SHOCK ”.	 (DANGER OF ELECTRIC SHOCK)
 Direction sign	“●” indicates mandatory contents. Detail is shown by illustration, or sentence near the symbol or inside the symbol.	 (General direction)

**Anti Rolling Gyro
Model:MSM-6500T-A1**

1.2 Warning labels

Do not place objects.



Power cable

Do not disassemble.



Signal cable

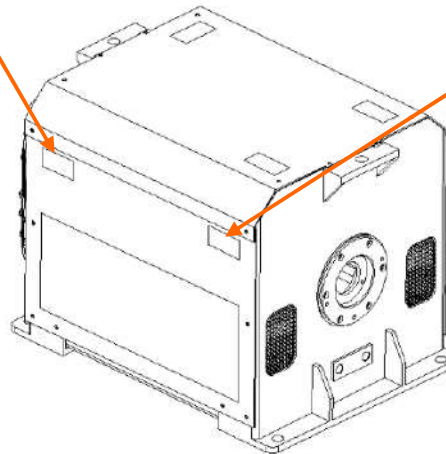
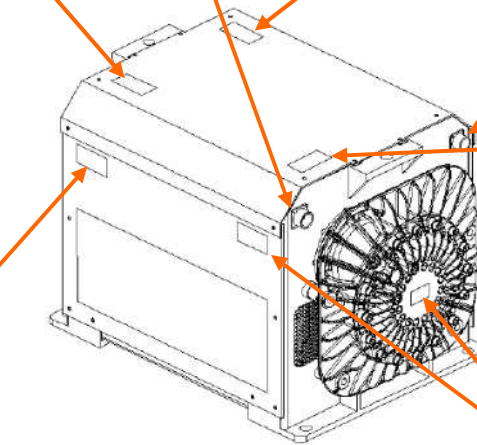
Danger of electric shock.



Do not close.

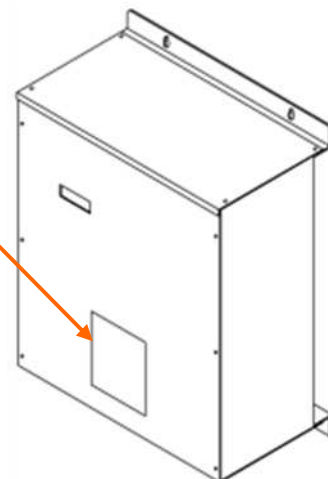


Hot surface



ARG unit





Danger of electric shock.
Do not disassemble.
Do not close.



Motor Driver




1.3 Precautions of installation/test run

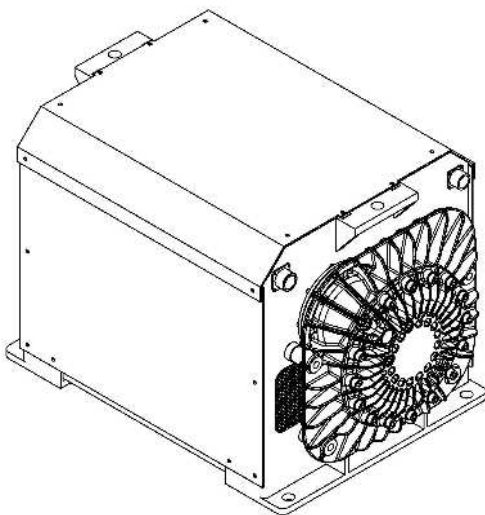
Observe the following when installing and performing test run.

IMPORTANT	
	<p>General Precautions</p> <ul style="list-style-type: none"> • Be sure to read this manual and understand the contents before installing the ARG. • Be sure to read operation instructions and understand the contents before operating the ARG.
	<p>Installation Environment</p> <p>The installation environment must be as specified in this manual.</p>
	<p>Check of Products</p> <p>Do not install damaged parts or do not install with some parts missing.</p>
	<p>Installation location</p> <p>Choose the location for installing the ARG unit appropriately in consideration for ship's center of gravity, balance and reinforcement besides convenience.</p> <p>Not doing so could result in deterioration in the performance of ship.</p>
	<p>Installation</p> <ul style="list-style-type: none"> • The crane must be operated by qualified personnel. Observe the contents of this manual for operation. • Wiring must be performed by qualified personnel. • Be sure to use the Motor Driver supplied by TOHMEI. Observe the contents of this manual for operation.
	<p>Test Run</p> <ul style="list-style-type: none"> • Only the repairmen, who have received the specified training about the ARG, are permitted to perform the test run. • If abnormality occurs during operation of the ARG, immediately turn off the switch to shut down the ARG. Contact the Sales Agent. ("Contact" (last page))
	<p>Disposal</p> <p>Observe the governmental and local regulations for disposal of the ARG.</p>

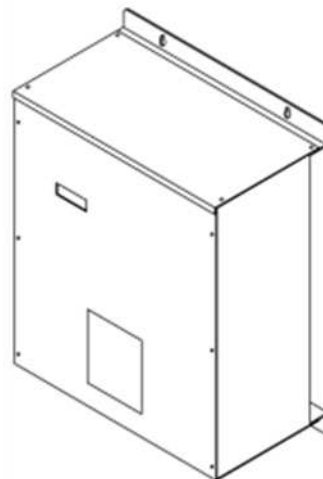
2 Check of Products

- 2.1 After taking out products from the shipping box
The **ARG** consists of the **ARG** unit, Motor Driver, Power Inverter and its related parts.
Before installing the ARG to your ship, make sure that you have received parts as shown Figure 2-1, 2-2, 2-3 and 2-4.
Please prepare items shown in Table 2-1 (p.11).

 DANGER	
	<p>Do not install damaged parts or do not install with some parts missing.</p> <p>Doing so could result in injury or malfunction.</p>
	<p>Do not store the ARG unit, Motor Driver and its related parts in the following locations.</p> <p>Doing so could result in malfunction.</p> <ul style="list-style-type: none">• Locations exposed to direct sunlight or water/rain.• Locations without flat surface.• Locations exposed to dust.• Locations exposed to vibration.



ARG unit
(MSM-6500T-A1、1EA)

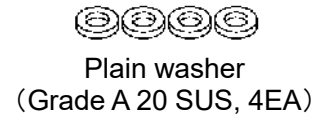
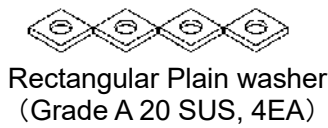
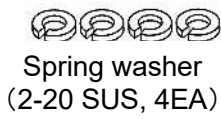
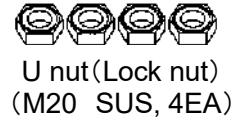
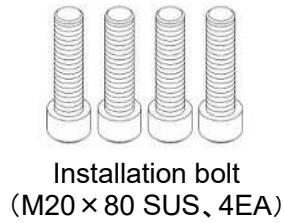


Motor Driver
(MAA-25000B-A200、1EA)

Figure 2-1 Checking of the delivered **ARG** (No.1)

ARG installation parts

Nomenclature	Number	Customer Check list
Installation Bolt (M20×80 SUS)	4EA	<input type="checkbox"/>
U nut (Lock nut) (M20 SUS)	4EA	<input type="checkbox"/>
Spring washer (2-20 SUS)	4EA	<input type="checkbox"/>
Plain washer (Grade A 20 SUS)	4EA	<input type="checkbox"/>
Rectangular plain washer (Grade A 20 SUS)	4EA	<input type="checkbox"/>



Hanger and attached parts

Nomenclature	Number	Customer Check list
Eyebolt (M20)	2EA	<input type="checkbox"/>
Nut (M20 SUS)	2EA	<input type="checkbox"/>



*** These parts are already attached to ARG unit when delivered.**

Power connector

Nomenclature	Number	Customer Check list
Plug	1EA	<input type="checkbox"/>
Back shell	1 EA	<input type="checkbox"/>
Cable cramp	1 EA	<input type="checkbox"/>
Socket contact	5 EA	<input type="checkbox"/>

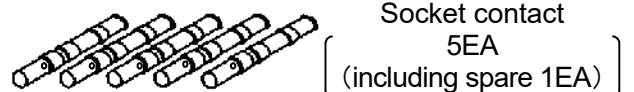
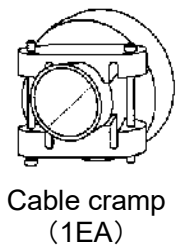
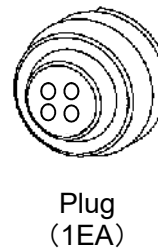



Figure 2-2 Checking of the delivered ARG (No.2)


**Anti Rolling Gyro
Model:MSM-6500T-A1**

Safety device connector

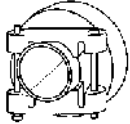
Nomenclature	Number	Customer Check list
Plug	1EA	<input type="checkbox"/>
Back shell	1 EA	<input type="checkbox"/>
Cable cramp	1 EA	<input type="checkbox"/>
Socket contact	4 EA	<input type="checkbox"/>




Plug
(1EA)



Back shell
(1EA)




Cable cramp
(1EA)



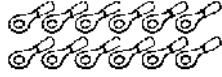
Socket contact
4EA
(including spare 1EA)

Wiring parts

Nomenclature	Number	Customer Check list
Crimp terminal for Motor Driver (N5.5-4 (with insulation cap))	10EA	<input type="checkbox"/>
Crimp terminal for Motor Driver (N1.25-3 (with insulation cap))	12EA	<input type="checkbox"/>




Crimp terminal for Motor Driver
N5.5-4
(with insulation cap), 10EA




Crimp terminal for Motor Driver
N1.25-3
(with insulation cap), 12EA

Attached Documents


Nomenclature	Number	Customer Check list
Installation manual [This manual]	1Copy	<input type="checkbox"/>
Operation Instructions	1Copy	<input type="checkbox"/>
Product liability (PL) label	1EA	<input type="checkbox"/>



Installation Manual
[This Manual] (1Copy)



Operation Instructions
(1Copy)



Product liability (PL)

Figure 2-3 Checking of the delivered ARG (No.3)

Table 2-1 Customer procurement items

No.	Item	Quantity	Notes
1	210-240V 50/60Hz single-phase ac generator	1set	Each generator must be able to power the ARG that consumes a maximum of more than 3kW @Single-phase.
2	Circuit breaker switch	1set	single-phase AC210-240VAC, 15A Select the breaker switch, whid is cut off within 5 seconds.
3	Power cable for use between the ARG unit and Motor Driver	1set	Cable for ship use : 2 mm ² / AWG 13x 3 cores with shield Outer diameter : φ13-25mm/φ0.5-1.0inches TOHMEI supplies connector for the ARG unit side.
4	Power cable connection parts for use between the ARG unit and Motor Driver (Crimp terminal, etc.)	1set	Specification of per unit Single phase: AC220 ~ 240V, 15A Waterproof type.
5	Power cable for use between power supply and Circuit breaker, and between Circuit breaker and Motor Driver	2set	Cable for ship use : Core thickness : 2mm ² / AWG 13 x 2 cores(Note) Outer diameter : φ13-25mm/φ0.5-1.0inches with shield. As selected the breaker switch is cut off within 5 seconds, please select the length of the Power cable.
6	Electric cable between remote switch and Motor Driver	1set	Cable for ship use : two-core cable with 1.00 mm ² / AWG 17or thicker conductors (with shield)
7	Remote switch	1set	Must be a latch type switch. Move the lever reciprocity to remote control the ARG 's starting and stopping operation. (No voltage connect switch more than 24VDC)
8	Electric cable between start check lamp and Motor Driver	1set	Cable for ship use : two-core cable with 1.00 mm ² / AWG 17 or thicker conductors (with shield)
9	Start check lamp	1set	Lamp specification : 24VDC, under 50mA (LED lamps, etc)
10	Electric cable between rotation rate check lamp and Motor Driver	1set	Cable for ship use : 1.00mm ² /AWG 17 x 2 cores with shield
11	Rotation rate check lamp	1set	24VDC, 50mA maximum (rated)
12	Signal cable for safety device between the ARG unit and Motor Driver	1set	Cable for ship use : 1.25mm ² /AWG 16 x 2 cores with shield. TOHMEI supplies connector for the ARG unit side.
13	Signal cable connection parts for safety device between the ARG unit and Motor Driver (Crimp terminal, etc.)	1set	Specification of per unit DC24V、 2A MAX Waterproof type.
14	Motor Driver installation screws and washers	1set	M6 x 4EA, No.6 x 4EA, 2-6 x 4EA
15	Ground lead (for the ARG unit & Motor Driver)	1set	Cable for ship use : 2mm ² / AWG 13 x single core Outer diameter : φ 10-14mm/ φ 0.4-0.5inches
16	Heat shrinkage tube	As required	For cable wiring
17	Insulation tape	As required	For cable wiring

(Note) • This specifies only for 1 **ARG**. If you use more than 2 **ARG**s with same cable thickness, please choose appropriate cable thickness that meet required capacity according to this manual.

2.2 **ARG** unit

① Specifications

Table 2-3 **ARG** unit specifications (1EA)

Item	Specifications
Name	ARG65T
Model	MSM-6500T-A1
Dimensions	525 mm (height) x 741 mm (width) x 536 mm (depth) 20.7 inches (height) x 29.2 inches (width) x 21.1 inches (depth)
Weight	Approx. 234 kg / 515 lbs
Power supply	{ AC Single-phase 210 - 240V MAA-25000B-A200 }
Ambient temperature	-10 to 40°C
Power consumption *1)	Approx. 1.8kW(Max) 1.4kW(Max) (Steady-state)
Anti-Rolling Torque	Approx. 6,500 Nm (Max)
Angular momentum	Approx. 1,300 Nms
Rotational speed	Approx. 4,200 rpm
Noise *2)	80 dBA maximum
Vibration *2)	1 m/s ² maximum
Performance	<ul style="list-style-type: none"> • The ARG suppresses rolling motion of the ship. • The ARG applies a principle that the Gyro torque (force) is generated by inclination of the flywheel rotating at high speed. • The ARG stops automatically in abnormal conditions (excessive load, abnormal temperature, etc.).
Others	Start up duration to the rated speed: Approx. 30 minutes To stop the operation completely from the steady state: Approx. 60 minutes.

* 1) Power consumption varies with the customer generator.

* 2) Measurement as per TOHMEI's specification.

The measurements data depend on measurements conditions (installation place, measurements method, etc.).

②External view

As shown in Figure 2-4, main external parts consist of Frame, Damper and Cover. Main internal parts are Gimbal and high speed rotating Flywheel.

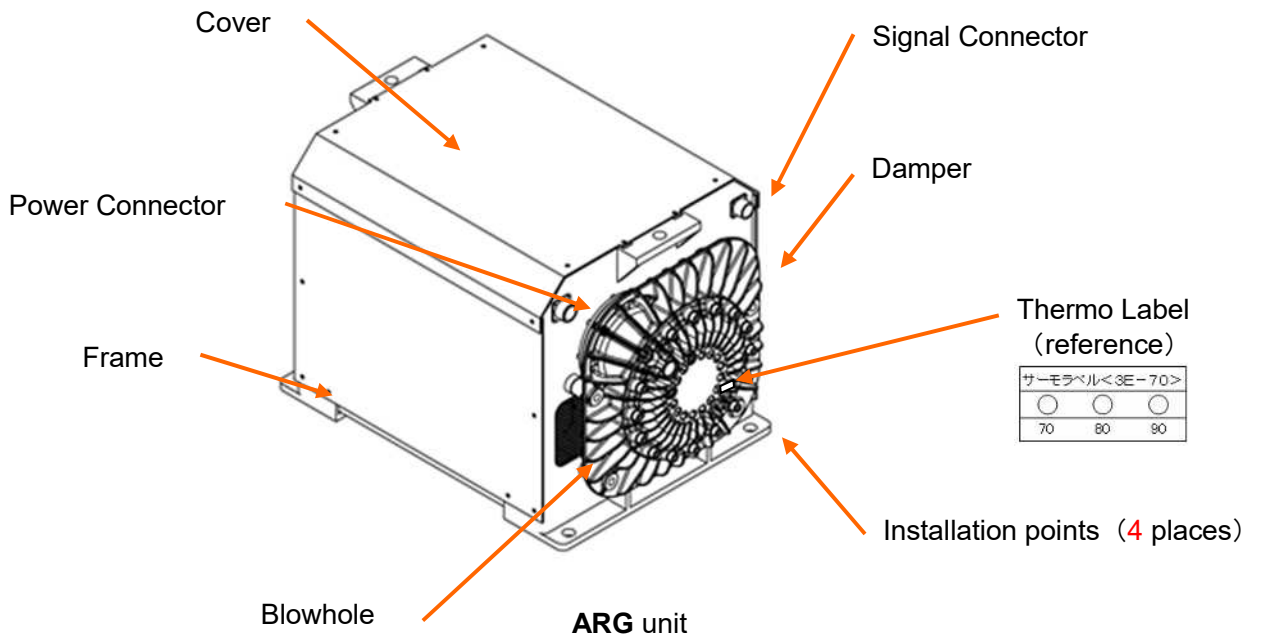


Figure 2-4 ARG unit external view

③Dimensions

The dimensions of the ARG unit are shown in Figure2-5.

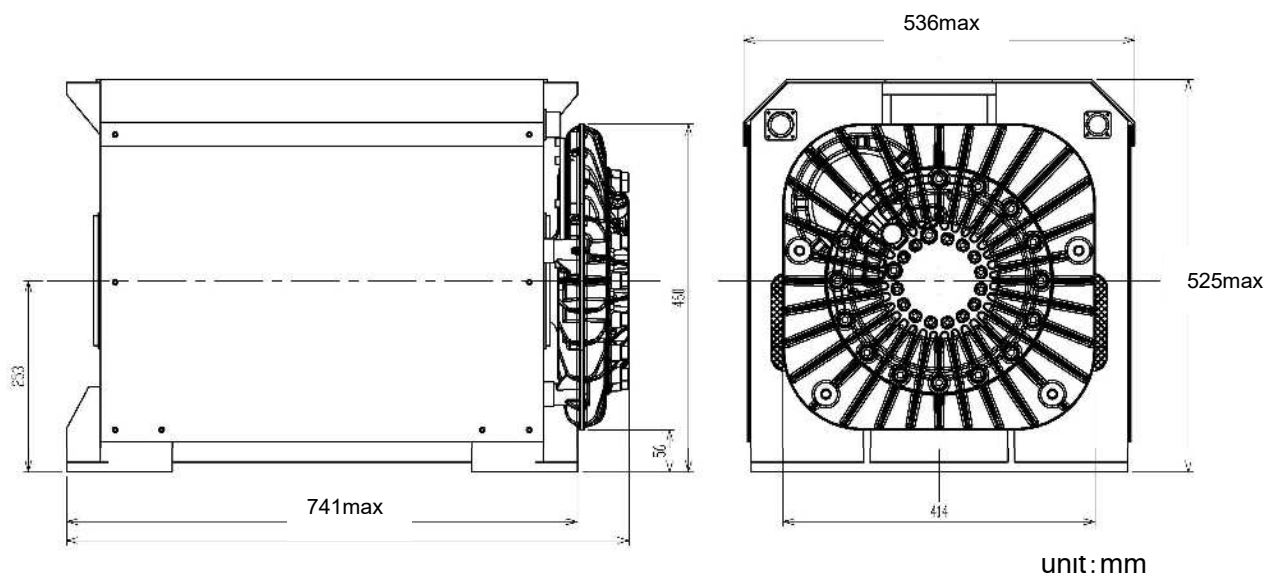


Figure 2-5 Dimensions for the ARG unit

④Nameplate

Make sure the nameplate on the **ARG** unit, which must be as shown in Figure2-6.



Figure 2-6 Nameplate for the **ARG** unit

2.3 Motor Driver

① Specifications

Table 2-4 Motor Driver Specifications (1EA)

Item	Specifications
Model	MAA-25000B-A200
Dimensions	180 mm (height) x 400 mm (width) x 350 mm (depth) 7.09 inches (height) x 15.7 inches (width) x 13.8 inches (depth)
Weight	Approx. 15 kg / 33.1 lbs
Control method	Inverter control
Ambient temperature	-10 to 40°C
Humidity	5 to 95% (with no condensation)
Pollution Degree	Do not be exposed to dust, direct sunlight, corrosive or flammable gases, oil mist, vapor or water drops. (Pollution Degree 2 (IEC60664-1))
Power supply	Single-phase 210 to 240VAC 50/60Hz
Options (outer connecting terminal) (Please prepare by customer)	<ul style="list-style-type: none"> ① Remote switch: connect to the Motor Driver to remote control the ARG operation (ON/OFF). The ARG can be switched on /off by this remote switch. ② Start check lamp: connect to the Motor Driver to make sure the ARG is in operation or not. ③ Rotation rate check lamp: connect to the Motor Driver to make sure the ARG had reached the rated rotational speed (steady state) or not.
Others	The ARG 's operating condition is checked by Monitoring window.

② External view

External view of the Motor Driver is shown in Figure 2-7. The terminal and inverter is installed inside.

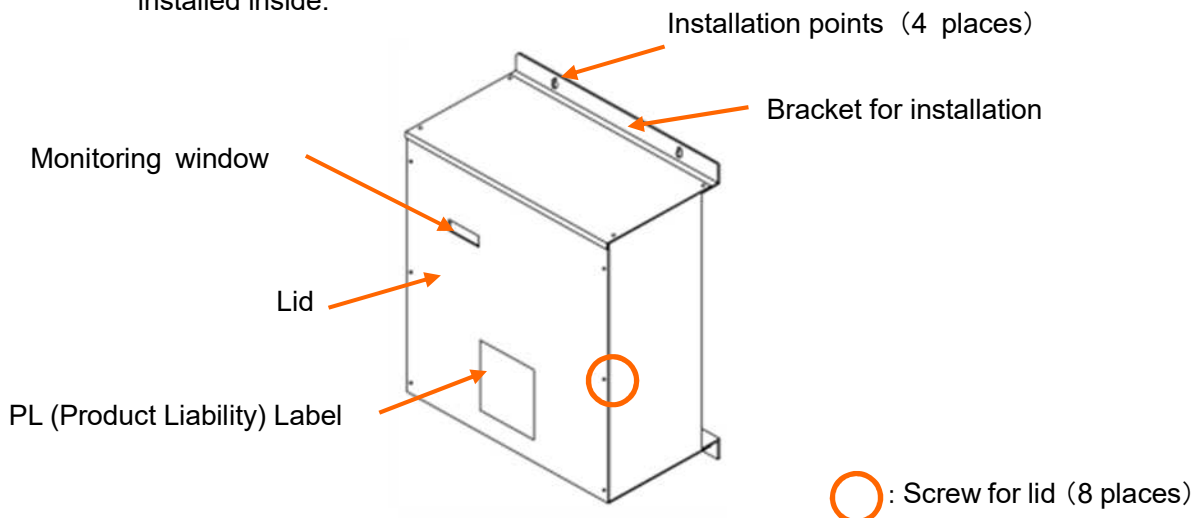


Figure 2-7 Motor Driver External view

③Dimensions

The dimensions of the Motor Driver are shown in Figure 2-8.

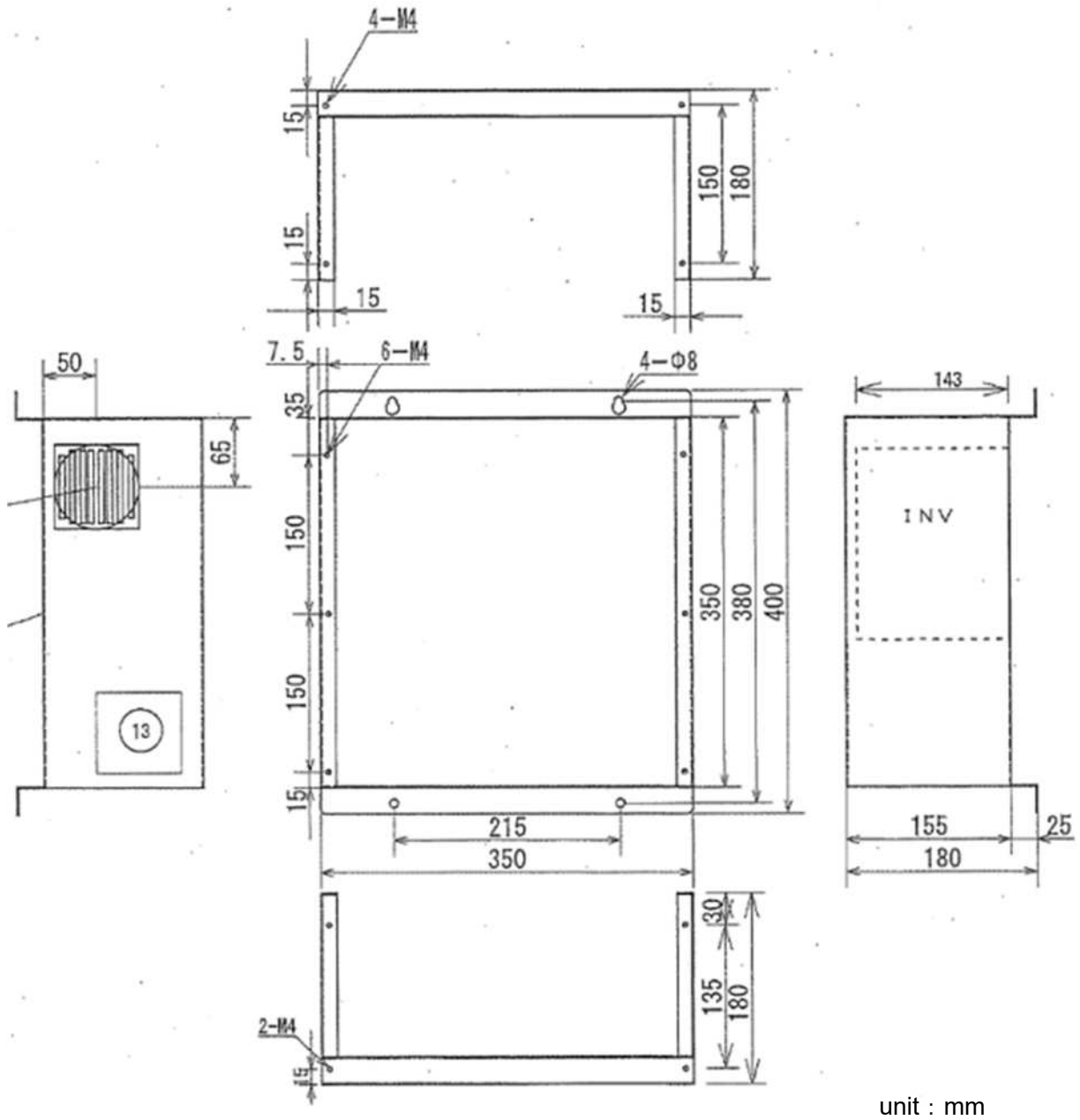


Figure2-8 Dimensions for Motor Driver

④Nameplate

Make sure the nameplate on the Motor Driver, which must be as shown in Figure 2-9.

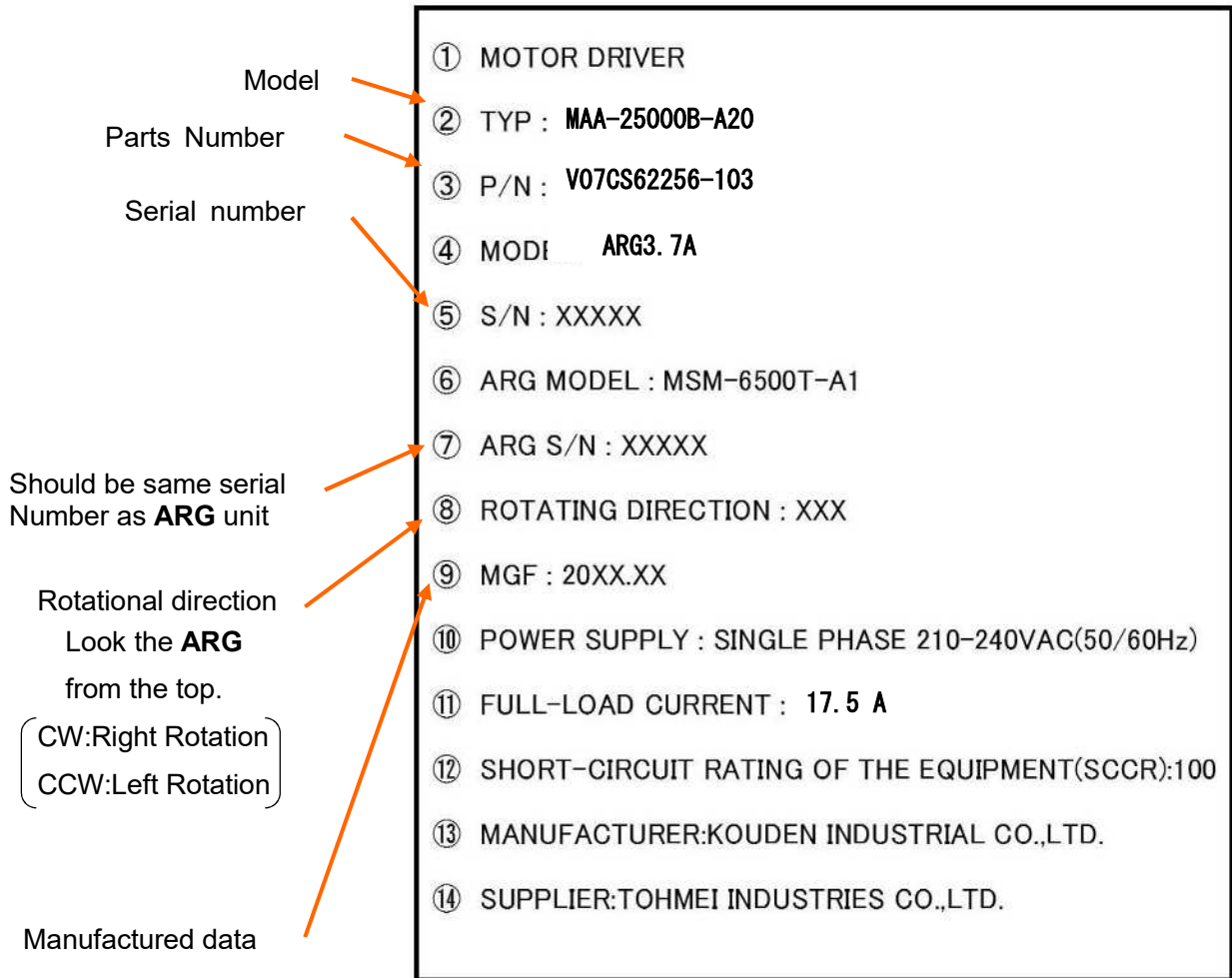


Figure 2-9 Nameplate for the Motor Driver

3 Before installation

3.1 ARG Gyro torques (moment)

In order to suppress the rolling of a ship due to waves or other external forces, every **ARG** exerts a maximum torque of $9.8\text{kN}\cdot\text{m}/1\text{EA}$ (approximately $1,000\text{kgf}\cdot\text{m} / 87,000\text{lbs}\cdot\text{in}/1\text{EA}$)on the hull of the ship, as shown in Figure 3-1.

M(moment) : Maximum $9.8\text{kN}\cdot\text{m}$ (approximately $1,000\text{kgf}\cdot\text{m} / 87,000\text{lbs}\cdot\text{in}$)

F(force) : Maximum $7.7\text{kN}\times 2$ ($786\text{kgf}\times 2 / 1,700\text{lbs}\times 2$)

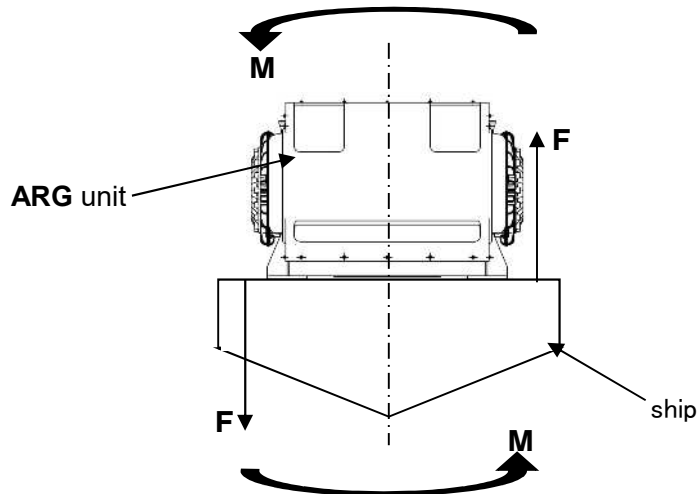
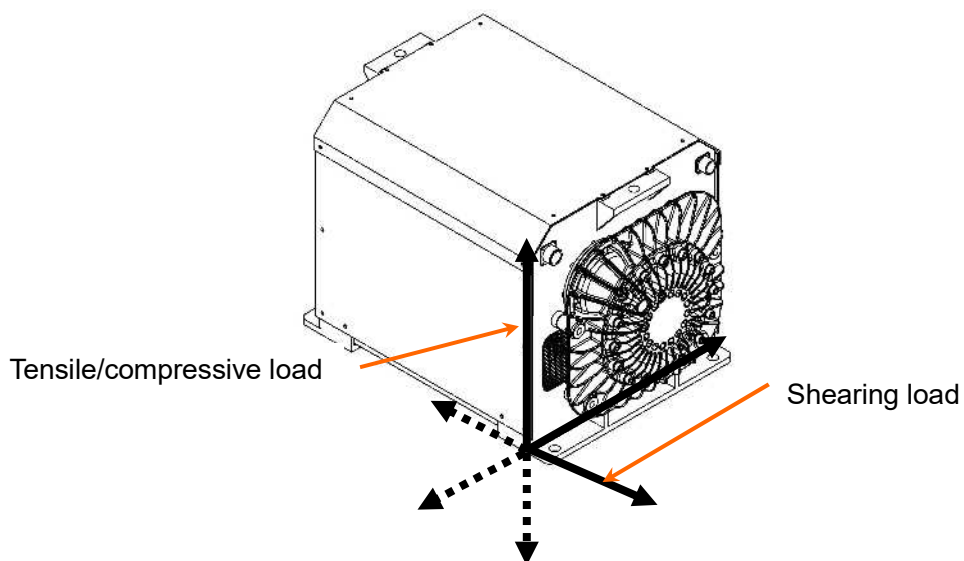


Figure 3-1 Gyro-generated torques (moments)

If the maximum torque (moment) shown in the above diagram is generated, each of installation bolts of the **ARG** must bear the loads of the magnitudes as shown below.




Tensile/compressive load on each bolt 7.7kN ($786\text{kgf}/1,700\text{lbs}$)

Shearing load on each bolt 2.7kN ($280\text{kgf}/620\text{lbs}$)



3.2 Installation location and reinforcements for installation

(1) Installation location and reinforcements for the **ARG** unit.

 DANGER	
	<p>Do not disassemble or modify without authorization, and do not use the ARG for other purposes.</p> <p>Doing so could result in damage, malfunction, injury or electric shock.</p>
	<p>Choose the location for installing the ARG unit appropriately in consideration for ship's center of gravity, balance, and reinforcement besides convenience.</p> <p>Not doing so could result in deterioration in the performance of ship.</p>
	<p>Ventilate the work space if the work related to the ARG is in closed space.</p> <p>Not doing so could result in poisoning depending on the materials to be used.</p>
	<p>Do not install the ARG unit in the following locations.</p> <p>Doing so could result in electric shock, malfunction, damage to ship or fire.</p> <ul style="list-style-type: none"> • Locations exposed to wave, rain, wind or direct sunlight. • Locations exposed to harmful gases, dust, liquid or oil mist. • Locations without flat surface. • Locations where strength and stiffness of the hull is not enough to withstand the maximum gyro torque (moment), and a member from which the load can not be transferred to the major members of the hull. • Locations exposed to vibration. • Locations where the specified ambient temperature range. • Locations exposed to flammable materials or heat-sensitive items. • Locations without a space of 200mm (7.9inches) around the ARG unit. But if there are enough space where the inspection and maintenance can be performed, this space (200mm(7.9inches)) could be a target. • Locations where passengers can touch the ARG unit easily.

① Install the **ARG** unit in a place withstanding the maximum gyro torque (moment) described in section 3.1 in the hull. (For example, a place where the load is transmitted to the strength material of the hull)

- ② If the installation part of the hull is not strong enough, an adequate reinforcement is required. (Refer to Figure 3-2)



ARG installation surface



ARG installation surface (bottom view)



ARG installation surface (side view)

Example of addition of FRP rib, and reinforcement with iron plate



Example of setting up iron trestle for FRP ship
Figure 3-2 Reinforcement of ship

- ③ Install the **ARG** unit so that their longer sides are perpendicular to the centerline of the ship as shown in Figure 3-3.

Serial number (S/N) for the **ARG** unit and the Motor Driver
 Odd serial number : counterclockwise, (look the **ARG** unit from the top)
 Even serial number : clockwise, (look the **ARG** unit from the top)

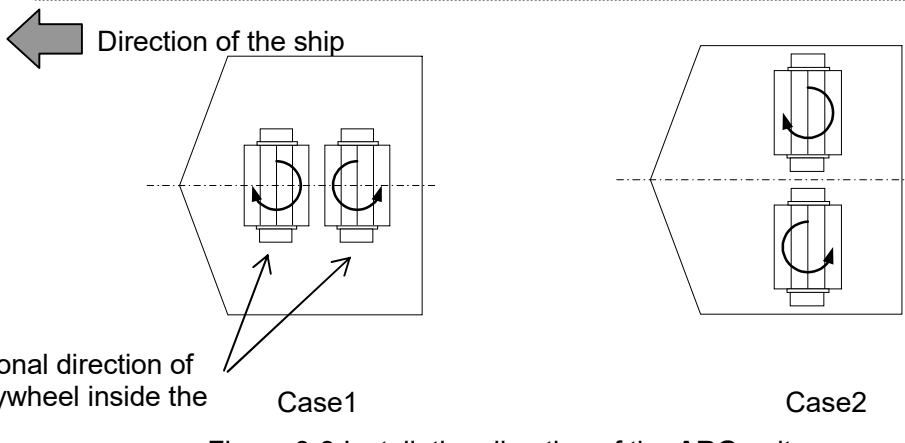


Figure 3-3 Installation direction of the **ARG** unit

- ④ If multiple **ARG** units are installed, the **ARGs** next to each other must rotate in the opposite directions as shown in Figure 3-3.
The **ARG** unit and the Motor Driver with even serial numbers rotate clockwise, (Looking the **ARG** unit from the top) and with odd serial numbers rotate counterclockwise (Looking the **ARG** unit from the top). Please make sure that the **ARG** unit and the Motor Driver has same serial number as a matched set. When multiple **ARG** units are used, two types of the units (clockwise rotation type and counterclockwise rotation type) must be used in pairs.

< For example : Multiple **ARG** installation >

(Case1) Install 4 **ARGs**

Odd serial number (S/N) : S/N 0001, S/N 0003 (2 units)

Even serial number(S/N) : S/N 0002, S/N 0004 (2units)

(Case2) Install 3 **ARGs**

Odd serial number (S/N) : S/N 0001 S/N 0003 (2 units)

Even serial number(S/N) : S/N 0002 (1unit)

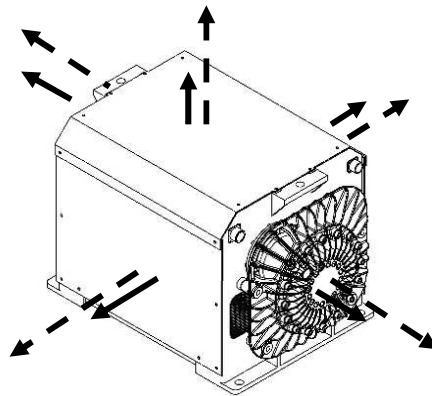
OR

Odd serial number (S/N) : S/N 0001 (1unit)

Even serial number(S/N) : S/N 0002, S/N 0004 (2units)

(**CAUTION**) Serial number does not need to be consecutive number as described above.

- ⑤ Select the **ARG** installation area in consideration of space where can perform the periodic inspection as shown in Figure 3-4.





- Keep a space of more than 200mm (7.9 inches) around the **ARG** unit. The **ARG** unit installation area will become high in temperature owing to generation of heat by **ARG** unit. Please ventilate the **ARG** unit installation area forcedly so that the ambient temperature of the **ARG** unit installation area will be -10 to 40°C.
- - ► Keep a space of more than 830mm (32.7 inches) around the **ARG** unit, and also more than 1000mm (39.4 inches) in one of four directions, front side, back side, left side and right side of the **ARG** unit. (If the installation space is limited.)

Figure 3-4 Installation space for the **ARG** unit

(2)Installation location for the Motor Driver

Refer to Figure 3-5 for installation space of the Motor Driver. Since the Motor Driver is ventilated forcedly by the fan inside, make sure to have a space of more than100mm (3.9 inches) on the top and bottom surfaces and more than 200mm (7.9 inches) on the side of the Motor Driver to provide enough ventilation.


DANGER



Do not install the Motor Driver in the following locations.

Doing so could result in electric shock, malfunction or fire.

- Locations exposed to wave, rain, wind or direct sunlight.
- Locations exposed to harmful gases, dust, liquid or oil mist.
- Locations without flat surface.
- Locations exposed to vibration.
- Locations where the specified ambient temperature range.
- Locations exposed to flammable materials or heat-sensitive items.
- Locations without a space of 200mm (7.9inches) around the Motor Driver.
- Locations where passengers can touch the **ARG** unit easily

The motor driver has conducted structural evaluation and test evaluation of Ignition Protection according to UL1500 “STANDARD FOR IGNITION-PROTECTION TESTFOR MARINE PRODUCTS-EDITION3”, but Motor Driver and Power Inverter use relays in it. In consideration of these failures, install the motor driver, which are electronic devices, in a location where there is no explosive atmosphere such as gasoline in accordance with Federal Law (183.410).

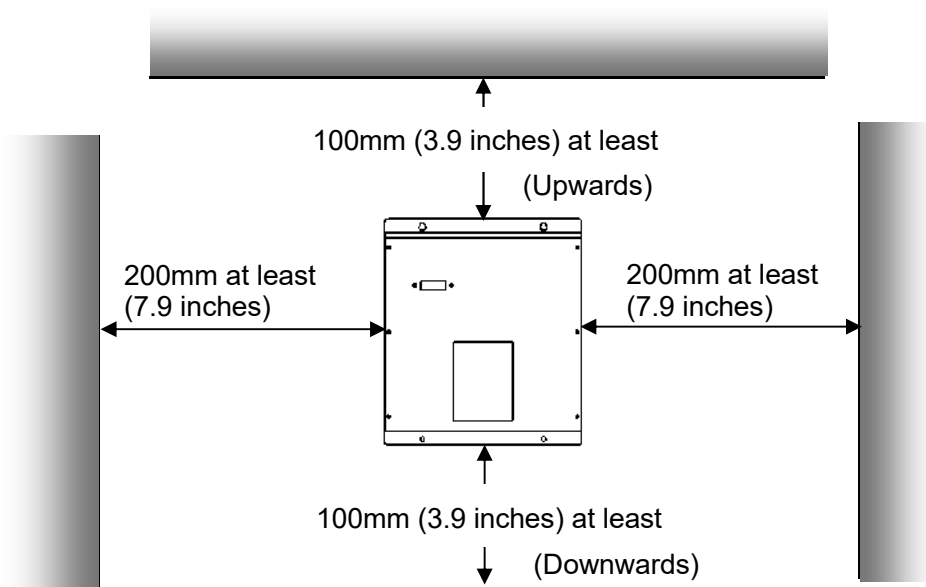


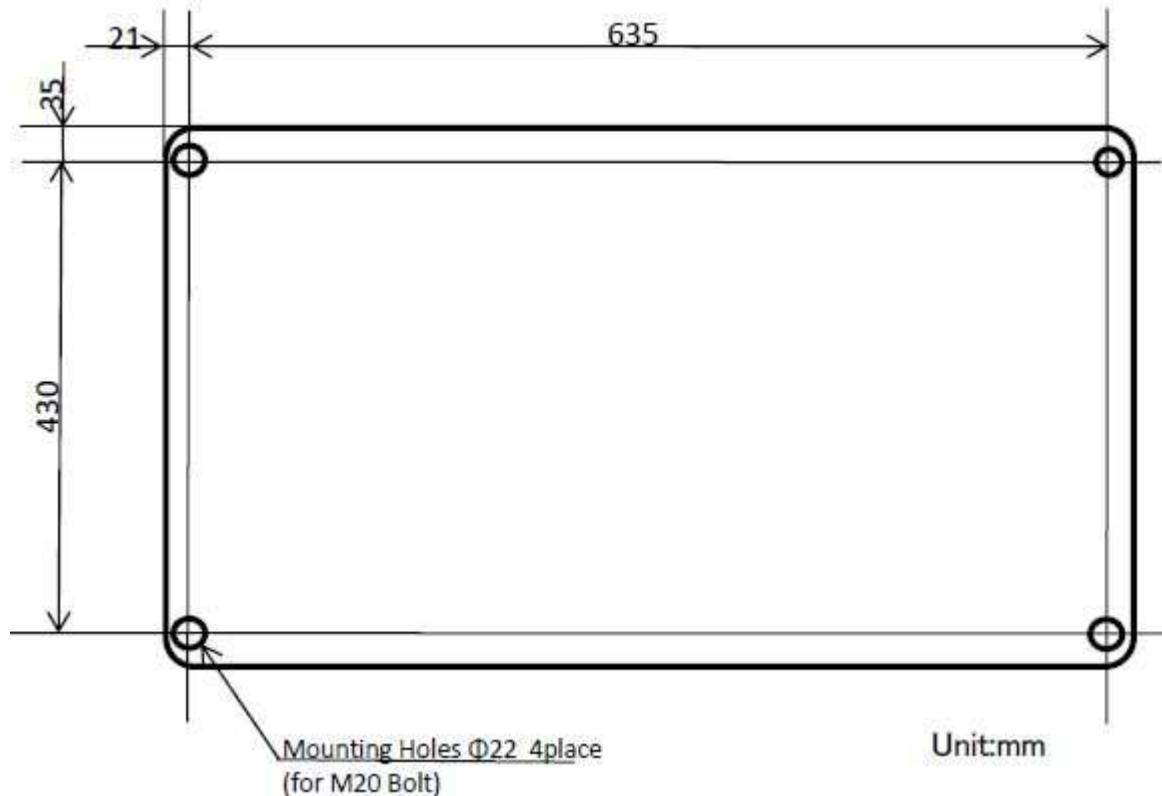
Figure 3-5 Installation of the Motor Driver

4 Installation

4.1 Installation of the **ARG** unit

(1) Installation holes

Make the installation holes in the hull according to the holes in the frame of each **ARG** unit as shown in Figure 4-1.



Note) The ARG unit needs space as shown in the Figure 3-4 to install the

Figure 4-1 Dimensions for drilling the **ARG** unit installation holes

(2) Installation and fixing of the **ARG** unit in ship

- ① Sling up the **ARG** unit by its supplied Eyebolto as shown in Figure 4-2, and install the **ARG**.
- ② Install the **ARG** unit firmly on the hull, as shown in Figure 4-2. Fit the plain washer, spring washer and nuts over each hole in the **ARG** unit frame, pass the installation bolt with the rectangular plain washer from underneath the hull board, then fasten the bolt with the washers and nuts that have been placed on the **ARG** unit frame.
- ③ If the ship is made of fiber reinforced plastic (FRP), it recommends reinforcing by overlaying with FRP.
- ④ To prevent each bolt from loosening, be sure to use U nut (lock nut) to fasten it.
- ⑤ The installation bolts are 80mm/3.1 inches long.
- ⑥ Tighten the 4 bolts little by little and evenly to a final torque of $130\text{N}\cdot\text{m}$ (approximately $13\text{kgf}\cdot\text{m} / 1128\text{lbs}\cdot\text{in}$) in a diagonal sequence. (Refer to Figure 4-3)
- ⑦ The stainless bolts might be burnt due to the fastening. It is recommended to apply the anti-burning grease, etc. that can be purchased locally, and then tighten the U nut.

**Anti Rolling Gyro
Model:MSM-6500T-A1**

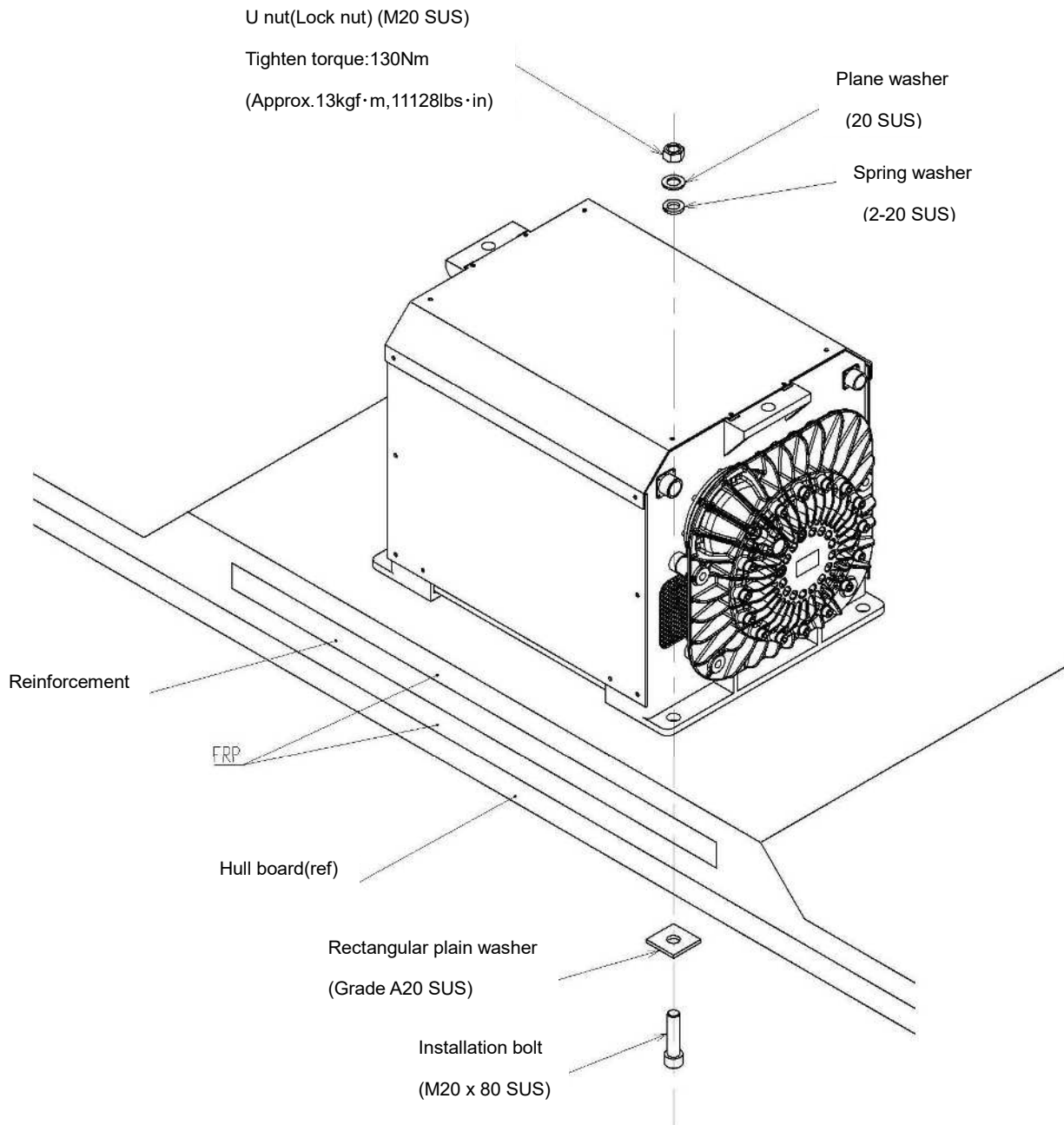


Figure 4 - 2 Installation of the ARG unit



Figure 4 - 3 Bolts installation order (example)



DANGER

	<p>The ARG unit is heavy (Approximately 234kg / 516lbs). Use crane which is suitable for weight of the ARG unit.</p> <p>Not doing so could result in injury or damage to the ARG unit or ship.</p>
	<p>Be sure to sling up the ARG unit with the attached Eyebolt.</p> <p>Not doing so could result in injury or damage to the ARG unit or ship.</p>
	<p>Make sure the following items when slinging up or moving the ARG unit.</p> <p>Not doing so could result in injury or damage to the ARG unit or ship.</p> <ul style="list-style-type: none"> • Eyebolts are tightened by regular torque. • Eyebolts are tightened in correct direction as shown in Figure 4-4.



CAUTION

	<p>Do not place objects, sit on or step on the ARG cover.</p> <p>The ARG cover is not made of strengthened material. If you place objects, sit on or step on the ARG cover, it could result in damage. During operation, the ARG components inside the cover are rotating at high speed. Therefore, the broken ARG cover could cause injury or malfunction.</p>
	<p>Do not hit the ARG unit or the Motor Driver against the neighboring equipment or people when moving the ARG unit or the Motor Driver. And, do not give a strong shock.</p> <p>Doing so could result in injury or damage to the ARG unit and ship.</p>
	<p>Be careful of the ARG cover's edge when handling the ARG cover.</p> <p>Not doing so could result in injury.</p>
	<p>Be sure to remove the ARG hanger after moving the ARG unit.</p> <p>Not doing so could result in injury. Keep the ARG hanger because it is used at maintenance.</p>

Eyebolt : 2EA (Supplied)
Tighten torque : 130N·m
(13kgf·m/1151lbs · in)

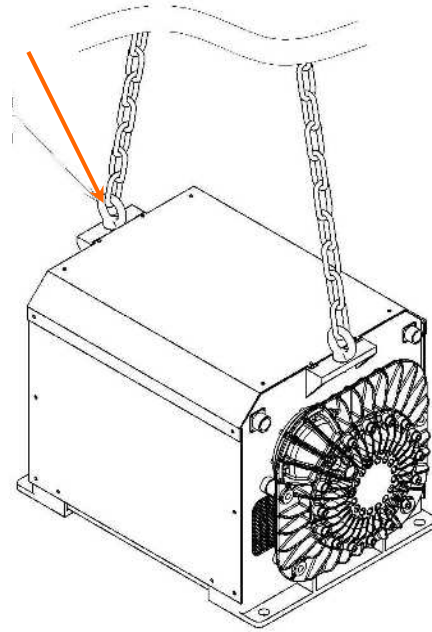


Figure 4-4 Installation direction of eyebolts

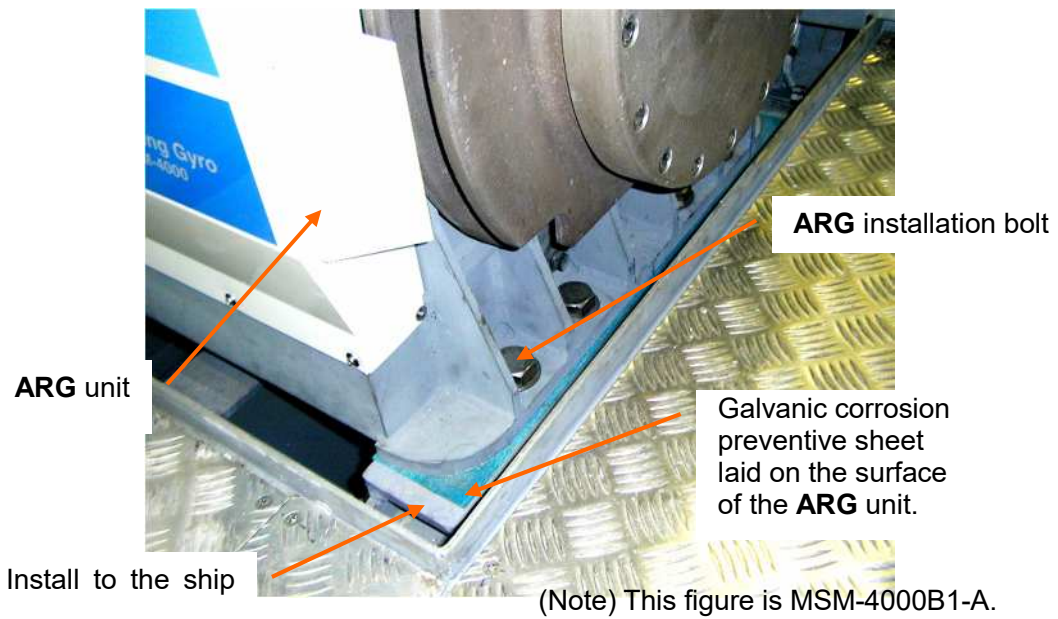


Figure 4-5 Galvanic corrosion preventive to the ARG unit



CAUTION



Take measure against galvanic corrosion when installing the ARG unit in an aluminum ship. Give electric insulation treatment or anodic protection, etc. to the surface of the ship on which the ARG unit is installed.

Refer to Figure 4-7 for the example of insulation.

Not doing so could result in damage to ship.

Use all installation parts attached.

Not doing so could result in damage to the **ARG** unit or ship.

Be sure to tighten the installation bolts and nuts by regular torque.



Loosening bolts and nuts could result in damage to the **ARG** unit or ship.

Re-tighten the installation bolts and nuts by regular torque after 1 or 2 days from installation.


Loosening bolts and nuts could result in damage to the **ARG** unit or ship.

4.2 Installation of the Motor Driver
(1) Installation direction

 **DANGER**

	<p>The Motor Driver's weight is approximately 15kg / 33.1lbs. Do not drop the Motor Driver when installing and removing one.</p> <p>Doing so could result in injury or malfunction.</p>
	<p>Be sure to install the Motor Driver in the correct direction.</p> <p>Not doing so could let water enter inside and result in electric shock or fire. (Refer to the Figure 4-6)</p> <hr/> <p>Install the Motor Driver in a metal or nonflammable surface.</p> <p>Not doing so could result in fire.</p> <hr/> <p>The Motor Driver must be connected only to a matched ARG unit. Make sure that the serial number (S/N) on the nameplate of the Motor Driver has a same serial number as the ARG unit.</p> <p>Not doing so could result in injury or malfunction. (Refer to the Figure 4-7)</p>

 **CAUTION**

	<p>Be sure to use the Motor Driver supplied by TOHMEI.</p> <p>Not doing so could result in malfunction.</p>
---	--

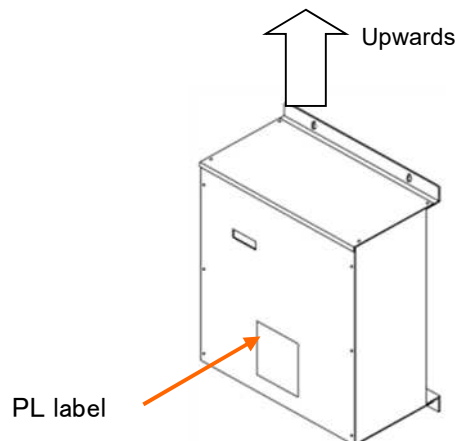


Figure 4-6 Installation direction of the Motor Driver

**Anti Rolling Gyro
Model:MSM-6500T-A1**

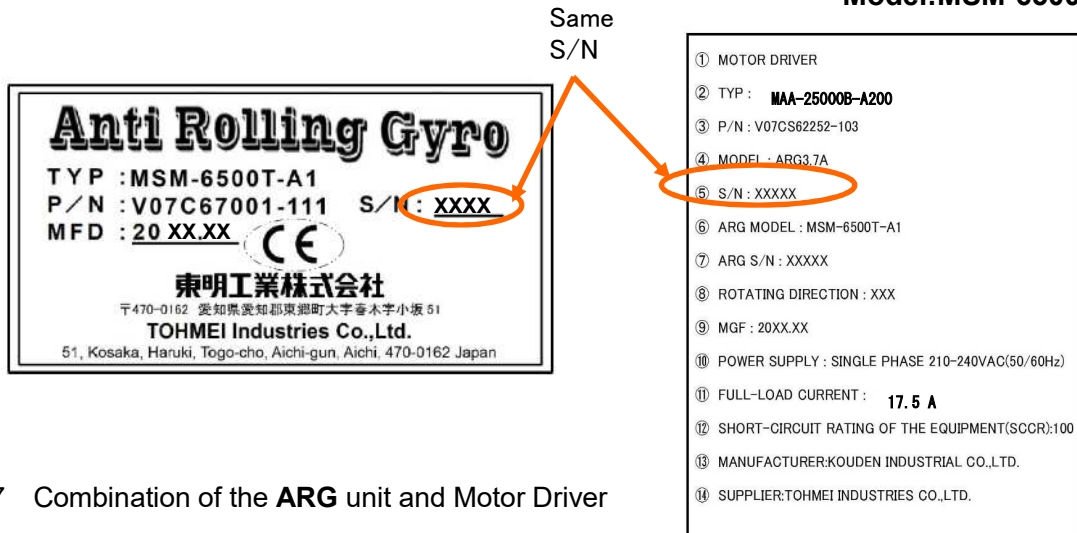


Figure 4-7 Combination of the **ARG** unit and Motor Driver

(2) Installation method

Install the Motor Driver following procedure.

Refer to the Figure 2-8 (page16) about installation dimensions.

- ① Attach the plain washer, spring washer and screw to the attachment hole on the upper side of the hull board. Then do not tighten screw completely and open the gap to the extent that the bracket can be inserted between the hull board and the screw head.

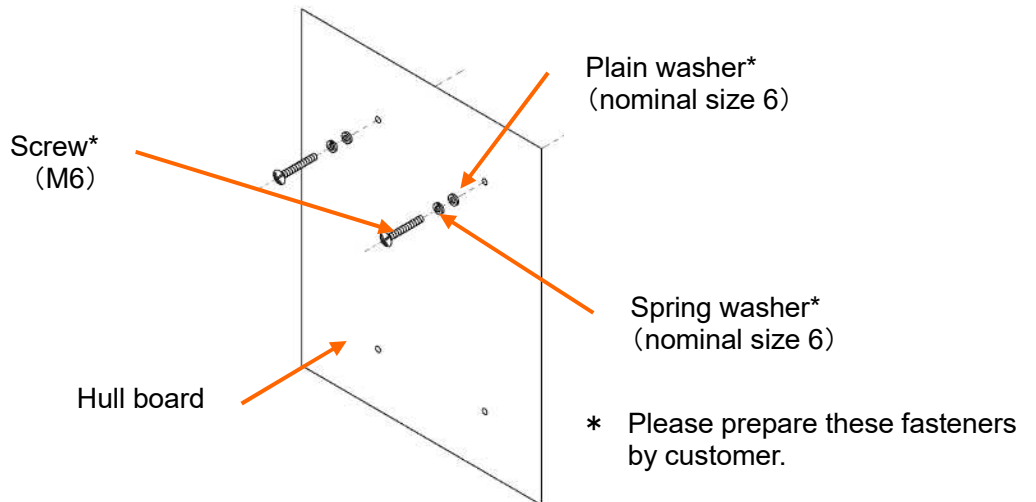


Figure 4-8 Procedure 1 for Motor Driver installation

- ② Hang the Motor Driver on screws which are attached.

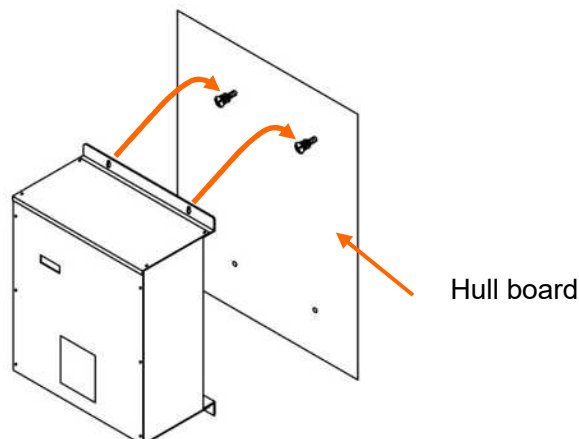
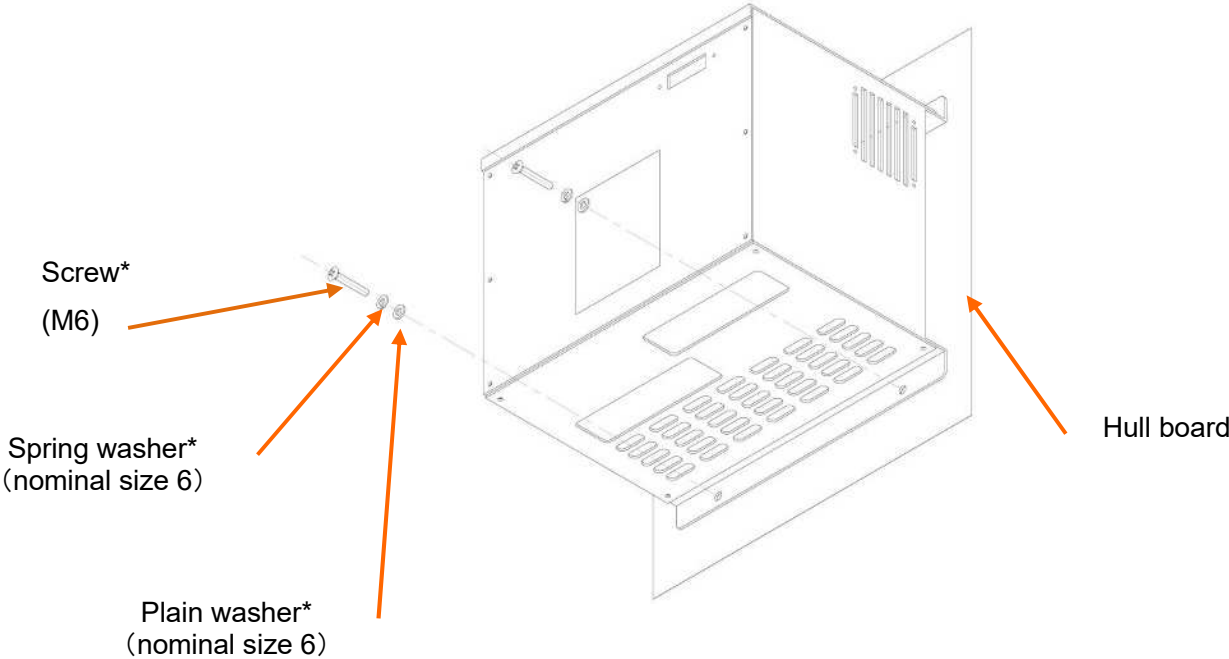


Figure 4-9 Procedure 2 for Motor Driver installation

- ③ Attach the plain washer, spring washer and screw to the hull board according to lower the attachment hole.



* Please prepare these fasteners by customer.

Figure 4-10 Procedure 3 for Motor Driver installation



- ④ Tighten the lower screws and upper screws.

4.3 Wiring


(1) Before wiring

- ① The Motor Driver is able to use single-phase power supply@210-240VAC.


 **DANGER**

	<p>Be sure to turn off the power supply before performing wiring. Not doing so could result in electric shock.</p>
	<p>Do not operate switches or perform wiring with wet hands. Doing so could result in electric shock.</p>
	<p>Take off the metallic items (wristwatch, ring, etc.) from your body before starting work. Not doing so could result in electric shock.</p>
	<p>Use insulated tools. Not doing so could result in electric shock.</p>
	<p>Wiring must be performed by qualified personnel. Not doing so could result in electric shock, malfunction, or fire.</p>

 **DANGER**

	<p>Protect the electrical wiring (equal to fixed to the wall so as not to step on). Not doing so could result in electric shock, malfunction, or fire.</p>
---	---

 **CAUTION**

	<p>Make sure that power generator of the ship is same as the specified Motor Driver's input voltage. Using different power supply voltage to the Motor Driver could result in malfunction.</p>
---	---

- ② The Motor Driver has useful accessories (outer connecting terminals) described in Table 4-1. Select the remote switch and lamp that meet the specification as described in Table 2-2. Be sure to use the remote switch. Please decide whether or not to use.



Table 4-1 The Motor Driver accessories(outer connecting terminal)

Nomenclature	Performance
Remote switch (This switch must be used.)	The remote switch, to be provided by customer, is able to remote control the ARG . The switch must be a latch type to hold an input. Move the lever reciprocity to remote control the ARG 's starting and stopping operation. (No voltage connect switch)
Start check lamp	The lamp (light emitting diode (LED) type, etc.) 24VDC and 50mA MAX (rated) prepared by customer (optional) can check the ARG unit's operation. Operated : Lamp is ON Not operated : Lamp is OFF
Rotation rate check lamp	The lamp (light emitting diode (LED) type, etc.) 24VDC and 50mA MAX (rated) prepared by customer(optional) can check the ARG unit's rotational speed if the rotational speed of the ARG unit has reached the steady-state. It takes approximately 30minutes to become steady-state after the switch is turned on. Steady-state : Lamp is ON Other state (Other speed) : Lamp is OFF

(2) Wiring (system)

- ① Figure 4-11 shows the overall electric system diagram.
- ② Figure 4-12 shows the overall electric circuit .
- ③ In reference to ② above, if the start check lamp or rotation rate check lamp is not used, disconnect the terminal between the start check lamp (“+24”-“Y1”) or rotation rate check lamp (“+24”-“Y2”) .

 **DANGER**

	<p>Do not short R/L1, S/L2 power input terminal of the Motor Driver and U/T1, V/T2, W/T3 connecting terminal of the ARG unit between terminals.</p> <p>Doing so could result in malfunction or fire.</p>
	<p>Use appropriate tools for wiring.</p> <p>Not doing so could result in electric shock or fire.</p>
	<p>Be sure to perform wiring correctly.</p> <p>Not doing so could result in electric shock or fire.</p>
	<p>Be sure to insulate electrical wiring connections.</p> <p>Not doing so could result in electric shock or fire.</p>
	<p>Be sure to install the circuit breaker switch between the power supply of the ship and the Motor Driver.</p> <p>Not doing so could result in electric shock or fire.</p>
	<p>Be sure to use electric cables specified in this manual.</p> <p>They must be as short as possible and their conductors must be as thick as possible. Be sure to use cables for ship use. They must be conformed to standards or regulations of your country.</p> <p>Not doing so could result in electric shock or fire.</p>
	<p>Use crimp terminals of appropriate shape, size and power rating for each unit.</p> <p>Not doing so could result in electric shock or fire.</p>



DANGER



Connect the ground lead of each Motor Driver to the ground connection point in the ship. Connect the ARG ground lead by securing the one of the cover installation bolt.

Not doing so could result in electric shock.



CAUTION



Never remove the electric wires that have already been connected inside the Motor Driver.

Doing so could result in malfunction.

Do not use the Motor Driver terminals other than those described in the wiring diagram of this manual.

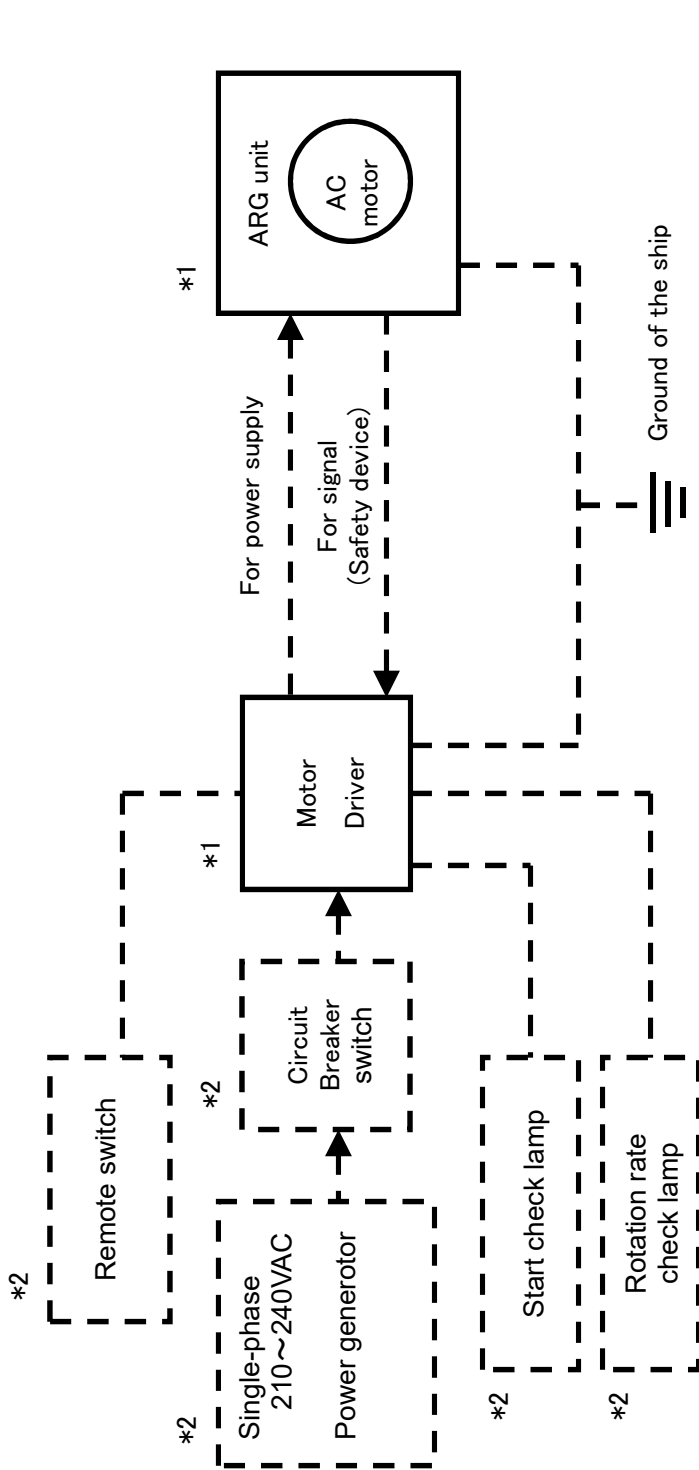
Doing so could result in malfunction.

The adjustment work of the touch panel (Refer to Figure 4-13) must be performed by qualified personnel, who has completed the ARG maintenance training.

Wrong key operation could result in malfunction and trouble.

Do not lock the power cable between ARG and Motor driver together with other wirings. And each wiring should be as short as possible, and do not loop. Do not connect the ground of other equipment to the Motor driver housings.

Not doing so could result in electromagnetic Interference.



(Note1) The items marked *1 are supplied by TOHMEI.
All cables and parts *2 must be prepared and wired by customer.

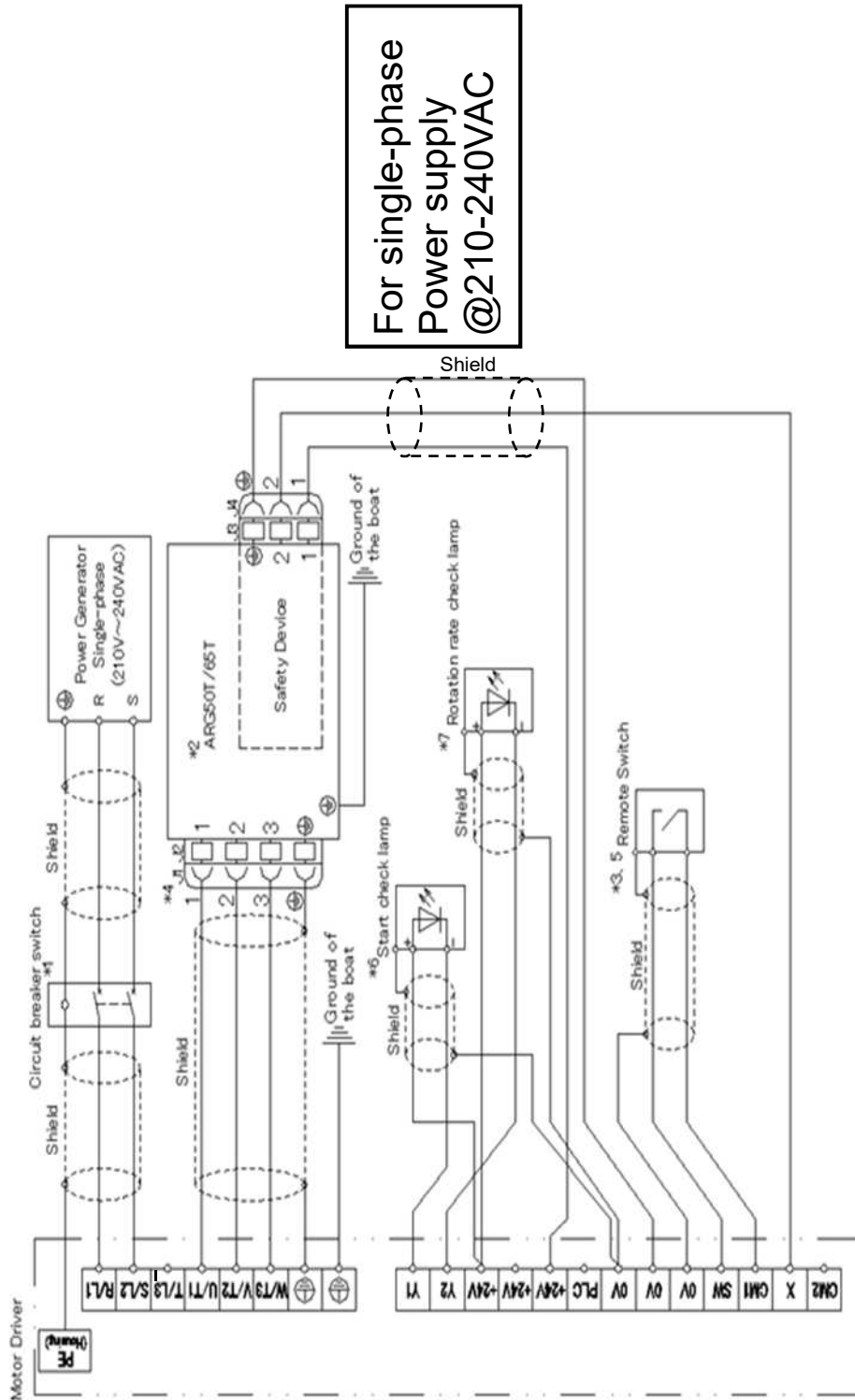
(Note2) The power supply to the **ARG** must be controlled by the circuit breaker switch.

(Note3) Connect the grounding point of the Motor Driver/**ARG** unit with the grounding point of the ship, and then ground them.

(Note4) Use the remote switch to start and stop the **ARG**.

(Note5) The circuit breaker switch and the remote switch must be used.

Figure 4-11 Overall electric system diagram



- (Note1) The items marked *1 are supplied by TOHMEI. All cables and parts *2 must be prepared and wired by customer.
- (Note2) The power supply to the **ARG** must be controlled with the circuit breaker switch.
- (Note3) Connect the grounding point of the Motor Driver/**ARG** unit with the grounding point of the ship, and then ground them.
- (Note4) Use the remote switch to start and stop the **ARG**.
- (Note5) Make sure to use a remote switch.
- (Note6) If start check lamp is not used, open the circuit between the "+24" terminal and the "Y1" terminal.
- (Note7) If rotation rate check lamp is not used, open the circuit between the "+24" terminal and the "Y2" terminal.

Figure 4-12 Overall electric circuit diagrams

(3) Connection terminal size for the Motor Driver

Table 4-2 indicates the connecting terminal and its screw size for the Motor Driver. Crimp terminal is supplied to customer.

Please see Figure 4-13 for the location of the connecting terminals.

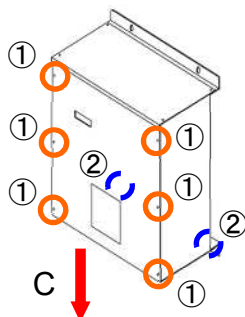
Table4-2 Connecting terminal and its screw size for the Motor Driver

Terminal name	Terminal screw size	Crimp terminal size (Supplied)	Descriptions
R/L1, S/L2	M4	V5.5-4	Input terminal from the power supply
U/T1, V/T2, W/T3	M4	V5.5-4	Output terminal to the ARG unit
X, +24V, 0V	M4	V1.25-4	Terminals for safety device
Y1, Y2, CM1, SW, +24	M4	V1.25-4	Terminals for accessories (for outer connections)
Ⓧ (Ground)	M4	V5.5-4	Ground connecting terminal to the ship

(4) Wiring method of the Motor Driver

① Remove the lid to perform the wiring for the cable and the Motor Driver.

Take off 8 screws of the lid to remove the lid. Perform the wiring on the terminal board inside the Motor Driver.



How to remove the lid

- A. Take off ①screws of the lid. (six screws)
- B. Take off ②screws of the lid. (two screws)
- C. Pull the lid in the direction of the arrow.
(Do the opposite steps to close the lid.)

② Perform the following cable connection on the terminal board inside the Motor Driver.

Connecting cable	Terminal name of the Motor Driver
Cable between the ARG unit and the Motor Driver (For power)	U/T1, V/T2, W/T3
Cable between the circuit breaker switch and the Motor Driver	R/L1, S/L2
Cable between the remote switch and the Motor Driver	CM1, SW
Cable between the ARG unit and the Motor Driver (For safety device)	X, +24V, 0V
Cable between the start check lamp and the Motor Driver	+24, Y1
Cable between the rotation rate check lamp and the Motor Driver	+24, Y2
Cable between the ship's ground and the Motor Driver	Ⓧ (Ground)

- ③ After removing the lid, there are terminal board with a safety cover as shown in Figure 4-13

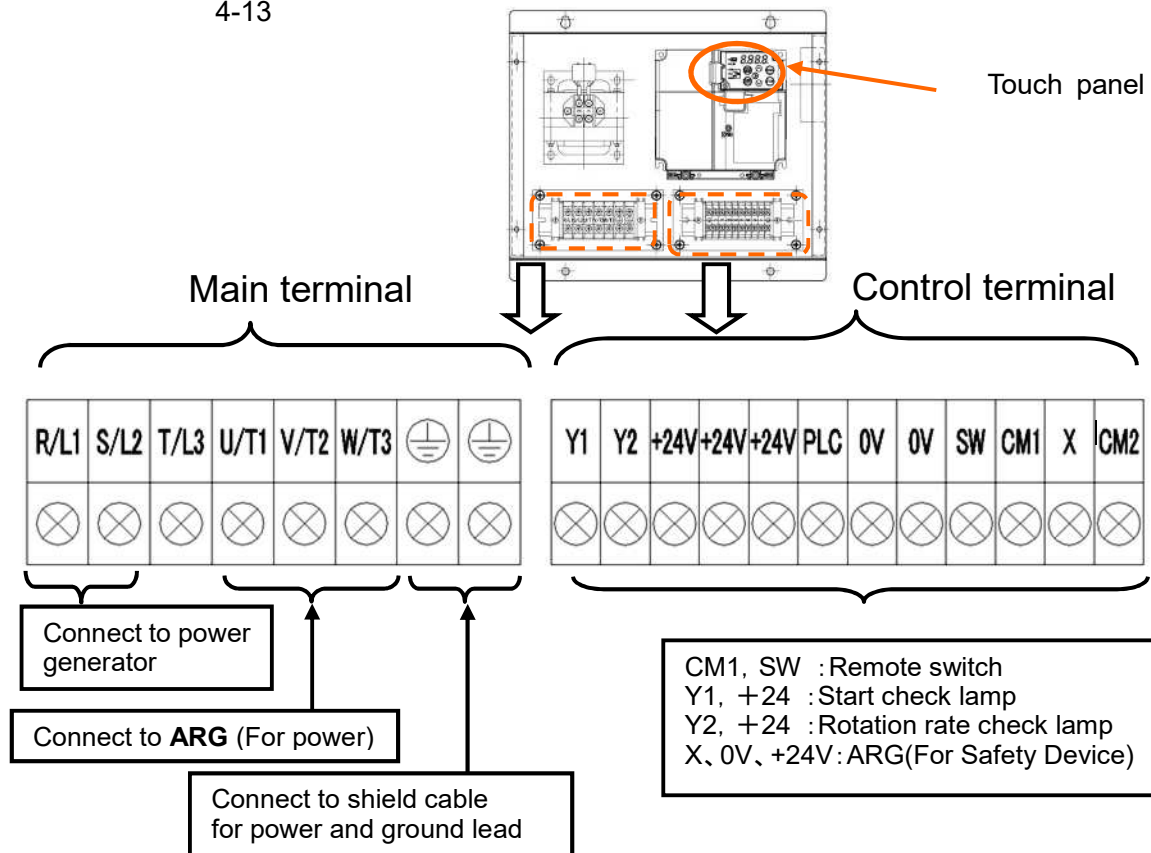
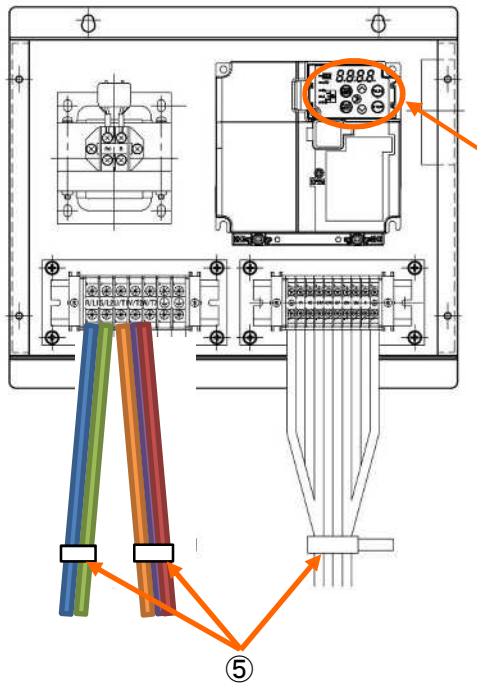


Figure 4-13 Terminal arrangement of the Motor Driver

DANGER

	<p>The Motor Driver is still charged with an electric voltage just after turning off the power supply. If performing the wiring after turning off the Motor Driver, wait for at least 5 minutes after turning off the power supply. Further, make sure that the lamp of “the Touch panel” is off.</p> <p>Not doing so could result in electric shock.</p>
	<p>Fix cable with clamps so that the cable from the Motor Driver isn't pulled.</p> <p>Not doing so could result in electric shock.</p>
	<p>Be sure to place the lid of the Motor Driver and secure it with screws after completing wiring and inspection.</p> <p>Not doing so could result in electric shock or malfunction or fire.</p>

- ④ After performing the wiring completely, place the safety cover on terminal board, tie down the electric wire and place the lid and tighten it with 8 screws. Please let the cable through the hole of the lid's bottom.
- ⑤ Fix cable by a clamp so that the cable from the Motor Driver is not pulled.



Touch panel

The Motor Driver is still charged with an electric voltage just after turning off the power supply. If performing the wiring after turning off the Motor Driver, wait for at least 5 minutes after turning off the power supply. Further, make sure that the lamp of “the Touch panel” is off. Not doing so could result in electric shock.





Do not lock the power cable between ARG and Motor driver together with other wirings.

Figure 4-14 How to check the electric voltage just after turned off the Motor Driver

(6) Wiring of the **ARG**

Perform wiring correctly as shown in Figure 4-12.

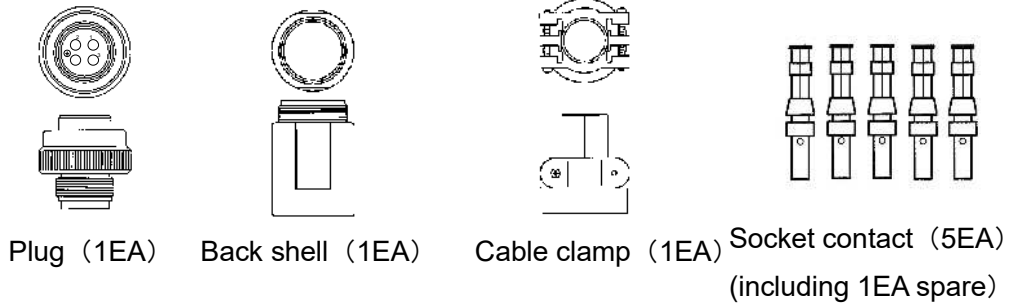
- ① Assemble the connector (For power and safety device)
Please assemble the cables using the supplied connector (crimp type) to connect the **ARG** unit and Motor Driver according to the steps below.
If the assembling is not performed in the correct order, you will not be able to assemble it.
Using an inappropriately assembled cable will cause malfunction to the whole system.

 DANGER	
	<p>Do not operate switches or perform wiring with wet hands.</p> <p>Doing so could result in electric shock.</p>
	<p>Do not solder the socket contact and cable.</p> <p>Doing so could result in electric shock or fire.</p>
	<p>Be sure to use appropriate tools and follow the procedure shown in p40 to p45 for assembling the connector.</p> <p>Using inappropriately assembled cable could result in electric shock, malfunction or fire.</p>
	<p>Make sure the cable line from the small hole (crimp side of the socket contact), and then crimp it.</p> <p>Not doing so could result in electric shock or fire.</p>
	<p>Do not mix the power connector parts with safety device connector parts.</p> <p>Doing so could result in electric shock or fire.</p>

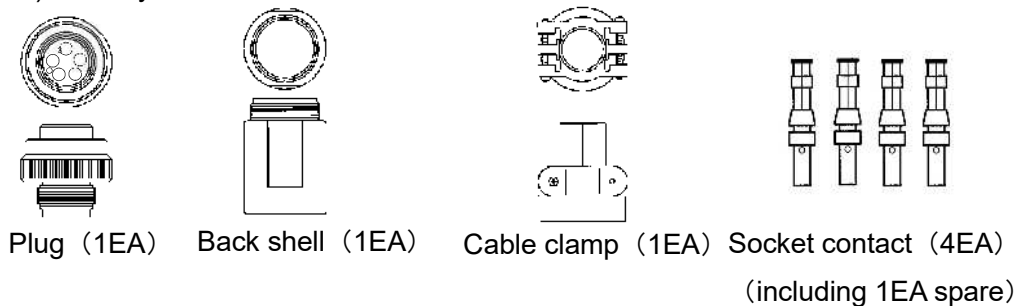
a) Make sure that the following parts are included in the box.

The size of the power connector is different from the safety device connector.

i) Power connector



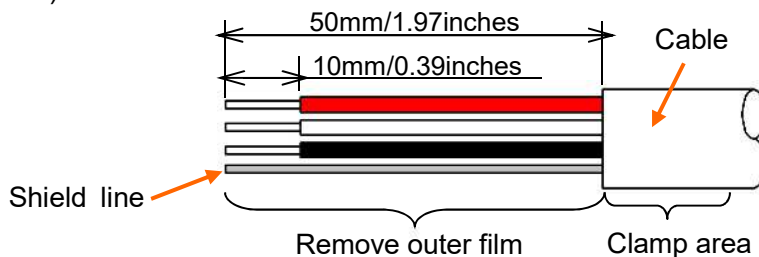
ii) Safety device connector



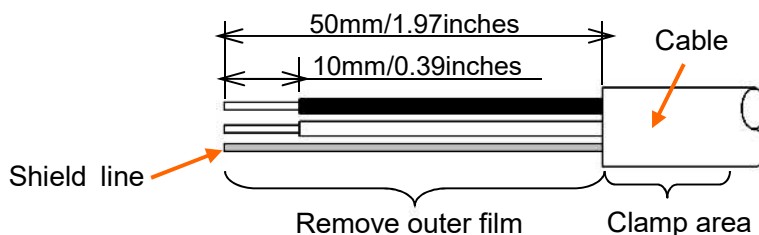
b) Pass the cable, which is prepared by customer, through the cable clamp shown above. If the cable prepared by customer could not go through the cable clamp shown above, remove the outer film and roll up by insulate tape to make the cable thinner and make sure that the rolled up cables can go through the cable clamp.

c) Remove the insulation film of the cable according to the dimensions below. Roll up the shield line.

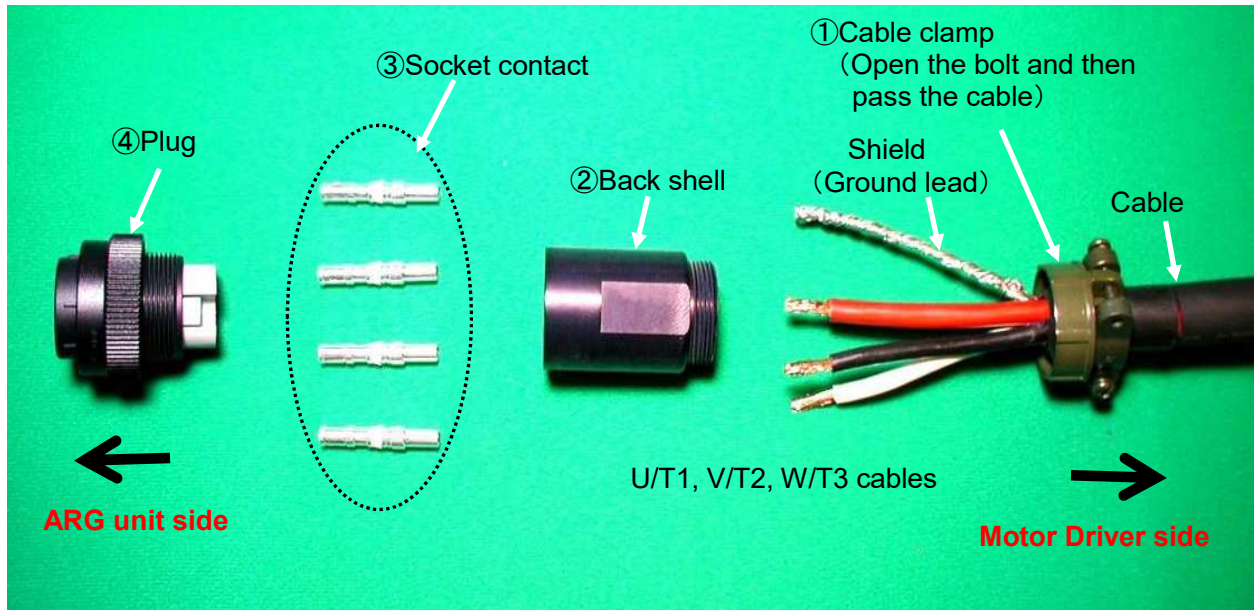
i) Power connector



ii) Safety device connector

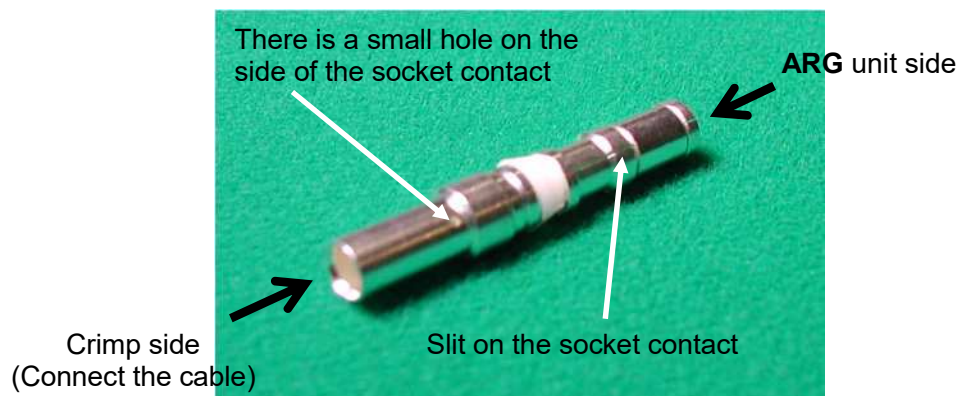


d) Connector assembling orders are ①→④ as shown below.

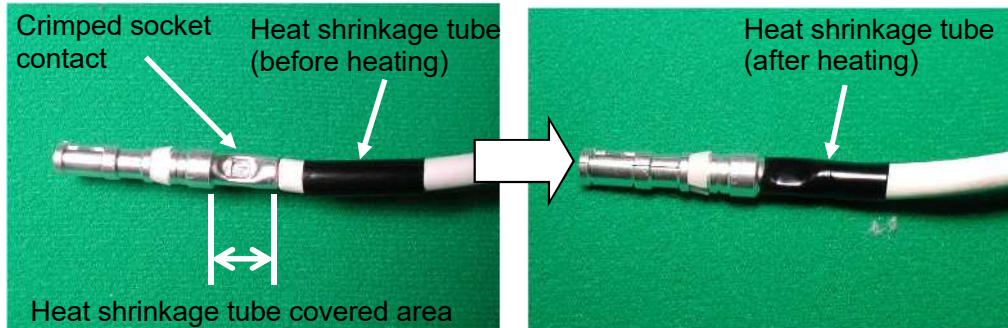


(Note) This figure shows an example for power connector.

- e) Let cable clamp (①) and back shell (②) pass through the cable.
- f) Check the crimp side of the socket contact (③).
The side with a small hole in the cylinder surface is the one to be connected with the cable. The side with a slit in the cylinder is the one to be connected with the connector (male) of the **ARG** unit.
(Refer to below figure.)
- g) Pass the heat shrinkage tube through the cable.
- h) Install the cable, which outer film was removed, to the bottom of the socket contact (③), and then crimp it.



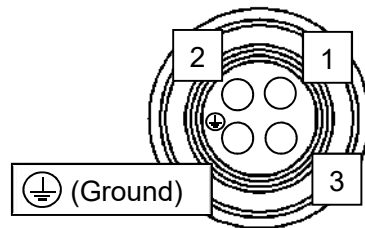
- i) After crimping the each cable, insulate it with heat shrinkage tube. For insulating the crimped area with heat shrinkage tube, refer to the photos below. Cover all the shield line with heat shrinkage tube.



- j) Insert the crimped socket contact (③) into plug (④) until it is locked. Refer to the photo below. Make sure that the outlet of the plugs and the corresponding cables are as follows.

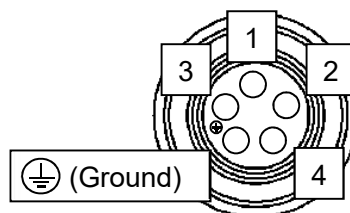
i) Power connector

Plug side	1	—	U/T1	Cable side
	2	—	V/T2	
	3	—	W/T3	
⊕ (Ground)		—	shield (⊕)	

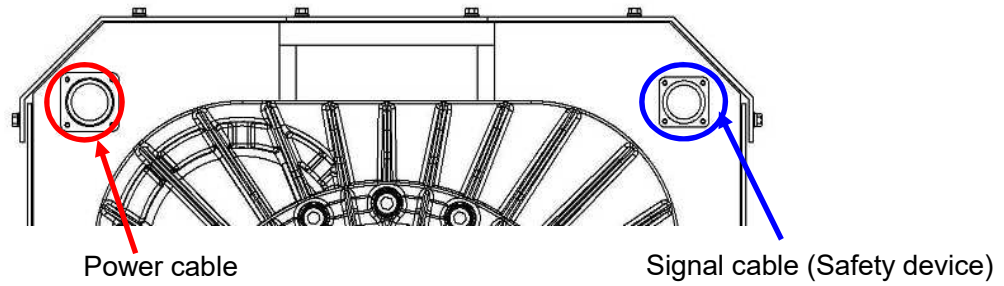


ii) Safety device connector

Plug side	1	—	+24V	Cable side
	2	—	X	
	3	—	Not use.	
	4	—	Not use.	
⊕ (Ground)		—	0V	



- k) Connect the Plug (④) and Back shell (②).
 - l) Connect the Cable clamp (①) to Back shell (②), and then tighten the cable clamp thread.
 - m) Connect the assembled connector (female) and the **ARG** unit connector (male).
Make sure that it is locked and connected properly.
- Check of the signal cable and the power cable.



Example of the connection

② Ground lead connection for the **ARG** unit

Connect the ship's ground lead and the **ARG** unit's ground lead.
Connecting of the **ARG** unit's ground lead is shown in Figure 4-15.

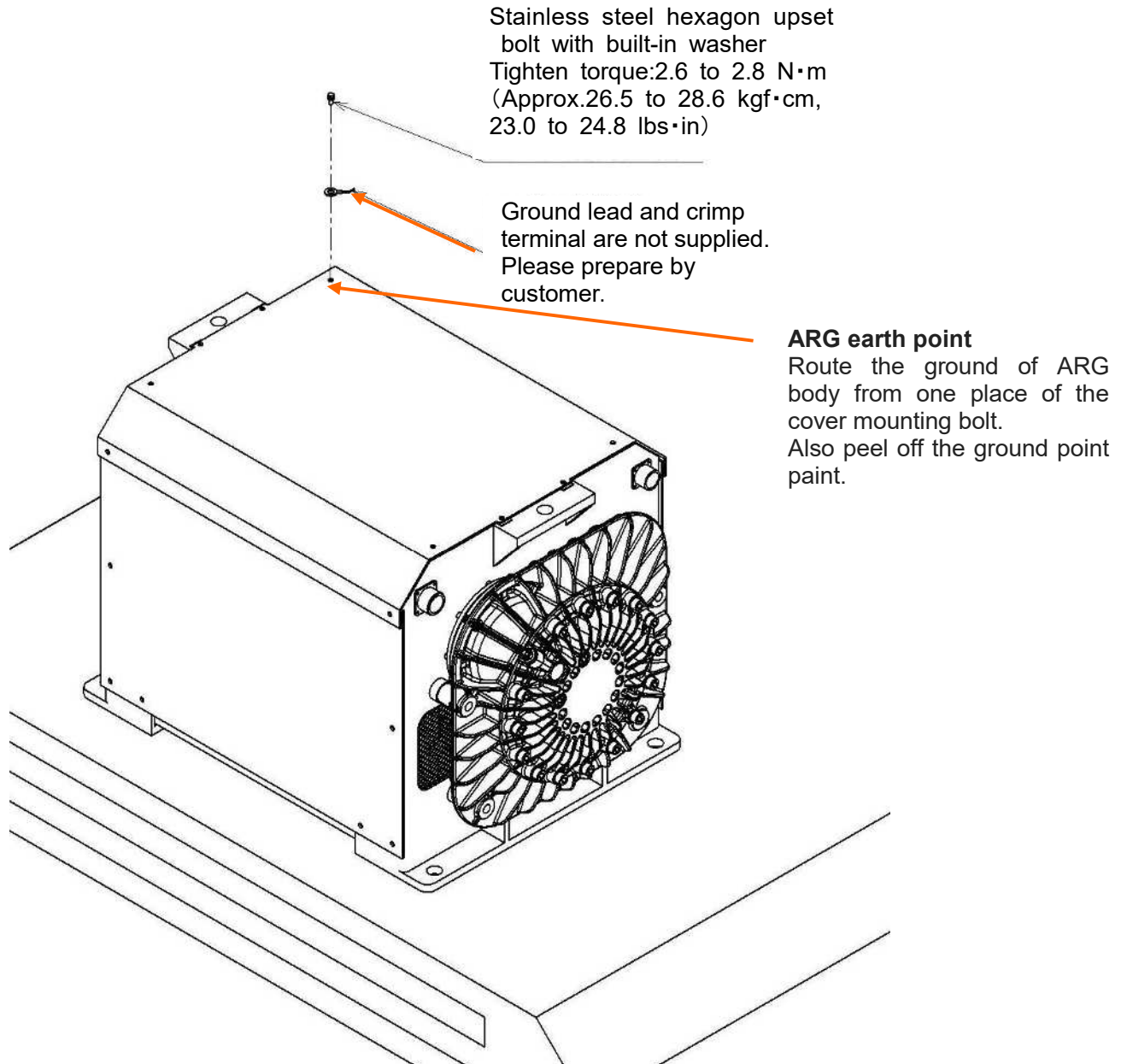






Figure 4-15 Ground lead connection for the **ARG** unit

5. Test Run




5.1 Before test run

Check the following before doing the test run.

(1) Check the prohibited condition in attached "Anti Rolling Gyro Operation instructions".

 DANGER	
	<p>Do not remove the ARG cover. During operation, the inner parts of the ARG are rotating at high speed. Doing so could result in injury.</p>
	<p>Do not close blowholes of the ARG. The inside of the ARG unit and the Motor Driver becomes high in temperature by closing blowholes. It could result in malfunction or fire.</p>
	<p>The ARG is not waterproofed. Never operate the ARG when it is exposed to seawater / rain. Doing so could result in electric shock or malfunction.</p>
	<p>If you notice an unusual noise, vibration or any other abnormality during operation of the ARG, immediately turn off the power supply to shut down the ARG. Keeping the ARG running under abnormal conditions could result in unexpected accident.</p>
	<p>Use all installed ARG units. Using only a few of them could lead to excessive load, and it could result in malfunction.</p>
	<p>If the 80 or 90 of the thermo label discolors, contact the Sales Agent. Not doing so could result in damage to the ship, malfunction of the ARG or injury.</p>
	<p>If there is any oil leakage from the damper, contact the Sales Agent. Not doing so could result in damage to the ship, malfunction of the ARG or injury.</p>
	<p>Do not loosen the adjusting screw of the damper. If the slip mark on the adjusting screw of the damper is slipped off, contact the Sales Agent. Not doing so could result in damage to the ship, malfunction of the ARG or injury.</p>

 **CAUTION**

	<p>Do not allow extraneous materials and dust to enter through the blowholes of the ARG unit.</p> <p>Doing so could result in malfunction.</p>
	<p>Do not approach the ARG unit while the ARG is operating.</p> <p>Doing so could result in injury.</p>
	<p>It takes approximately 1 hour until the ARG completely stops after the remote switch has been turned off.</p> <p>Do not approach the ARG unit and the Motor Driver until the ARG completely stops.</p> <p>Doing so could result in injury.</p>
	<p>Do not touch the ARG unit during operation or soon after the ARG stops.</p> <p>Doing so could result in a skin burn due to the hot surface.</p>
	<p>Do not damage electric cables when handling the ARG cover.</p> <p>Doing so could result in malfunction.</p>

- (2) Attach the product liability (PL) label below (PROHIBITED USE Don't operate in heavy weather, with high waves or strong winds.) to somewhere around the remote switch to start and stop the **ARG**.



- (3) Perform the inspection according to the check sheet in Table 5-1. This inspection must be performed by the specified agents that have received the training.

Table 5-1 Initial Inspection List (1 / 3)

This inspection should be performed by the specified agent that have received the training by Tohmei about the ARG.

ARG Initial Inspection List (1/3)

Customer's Name :	MSM-2800T	MSM-4750T	MSM-6500T	MSM-6500T	
Boat Name :	ARG175T	ARG175T	ARG50T	ARG50T	
Installed ARG Model :	MSM-1760T	MSM-2760T	MSM-4760T	MSM-6500T	
Number of ARG Installed :	ARG15T	ARG35T	ARG50T	ARG50T	
Inspector of ARG's S/V :	ARG15T	ARG35T	ARG50T	ARG50T	
Inspector Date :	ARG15T	ARG35T	ARG50T	ARG50T	
Inspector Place :	ARG15T	ARG35T	ARG50T	ARG50T	
Inspector :	ARG15T	ARG35T	ARG50T	ARG50T	
Inspector item :	ARG15T	ARG35T	ARG50T	ARG50T	
Inspection Area	Inspection Item	Criteria	Inspection method	Result	Disposal
1. ARG Installation	Check the installation condition.	The ARG should be installed in accordance with the installation manual.	Visual inspection	Request the user to improve.	
	Check the hull strength and reinforcement where the ARG unit installed.	When the Anti-rotation rubber is used, the ARG unit should be installed in accordance with the installation manual. When the Anti-rotation rubber is not used, the ARG unit should be installed in accordance with the installation manual. When the Anti-rotation rubber is used, the ARG unit should be installed in accordance with the installation manual. When the Anti-rotation rubber is not used, the ARG unit should be installed in accordance with the installation manual.	Visual inspection	Request the user to improve.	
2. External view of ARG unit	Check the rust, deformation, crack or interference defect.	When the Anti-rotation rubber is used, the ARG unit should be installed in accordance with the installation manual. When the Anti-rotation rubber is not used, the ARG unit should be installed in accordance with the installation manual.	Visual inspection	Request the user to improve.	
	Check the installation environment.	The ARG unit should not be installed in places where likely to get covered in sawwater or seawater. There should be no inflammables around. There should be no objects on the ARG. There should be enough ventilation to cool the ARG unit down. The ventilation of the ARG unit should not be obstructed. (Ex. Closing the ARG unit's blowpipes. Covering the ARG unit) The ARG unit should not be left traces of covered with sawwater and water.	Visual inspection Visual inspection Visual inspection Visual inspection Visual inspection Visual inspection or Hearing	Request the user to improve. Request the user to improve. Request the user to improve. Request the user to improve. Request the user to improve. Request the user to improve.	
*) Inspect the inside of the ARG (If the bolt of the Damper are loosening.)	Check the damper assembly.	There should be no loosening of the Cover There should be no loosening of the Damper. There should be no crack of welding portion. The Cover should not be cut or deformed intentionally.	Visual inspection Visual inspection Visual inspection Visual inspection	Apply Loctite 242 to the Cover screw and tighten it. If the inside of the ARG unit does not have abnormally, replace the Damper bolt. Replace the Cover. Replace the Cover.	
	Check the oil leakage from the Damper.	There should be no interference defect between the Flywheel and the other parts. There should be no loosening installed bolt or nut for the ARG unit. There should be no extraneous material in the winding of the inner motor. There should be no extraneous material between the gap of the inner motor. The electric cable should be fixed to the cable clamp. There should be no rust in the parts of the ARG unit.	Visual inspection Touching Visual inspection Visual inspection Visual inspection Visual inspection	Replace the ARG unit. Replace the ARG unit. Replace the ARG unit. Replace the ARG unit. Repair. Replace the ARG unit.	
	Check the adjusting screw hole of the Damper.	There should be no crack in the main parts. 1) Root R at the foot of the Flywheel axis 2) Rφ of the Gimbal 3) Rφ and rectangular lumber of the Frame Sawing the Gimbal by hand, there should be no interference defect between the Gimbal and other parts. Sawing the Gimbal by hand, the play of the Damper should be less than 7.0 deg p-p. There should be no sealing of rubber sheets on the inside of the Cover.	Visual inspection Swinging by hand and visual inspection Swinging by hand and visual inspection Visual inspection	1) Replace the ARG unit. 2) Replace the ARG unit. 3) Replace the ARG unit. Replace the ARG unit. Repair or replace the Cover.	
	Check the thermo label of the Damper.	Check the discoloration of the thermo label as follows. 1) No discoloration 2) Red orange (70°C) 3) Blue (80°C) 4) Red (80°C)	Visual inspection	1) No problem. 2) No problem. 3) Request the user to improve ventilation, and replace the Damper. 4) Request the user to improve ventilation, and replace the Damper.	
	Check the oil leakage from the Damper.	There should be no amount of transparent oil leakage from the Damper.	Visual inspection	Request the user to improve.	
	Check the adjusting screw hole of the Damper.	Confirm the adjusting screw hole is full of the resin filler. <ARG50T 65T, 15T> <ARG50T 65T, 15T> There must be no slippage in the slip mark on the adjusting screw of the damper.	Visual inspection	Replace the Damper.	
	<Except ARG175T > Check the connecting of the connector.	The connector of cable side should be locked properly to the connector of ARG unit side.	Touching	Repair the connector or replace.	
	<Except ARG175T > Check the connector assembly.	The socket contact should be inserted in connector until it is locked.	Touching	Repair the connector or replace.	
	Check the grounding.	The grounding should be performed.	Touching	Request the user to improve.	

Table 5-1 Initial Inspection List (2 / 3)

ARG Initial Inspection List (2/3)

This inspection should be performed by the specified agent that have received the training by Tohmei about the ARG.

No.	Inspection Area	Inspection Item	Criteria	Inspection method	Result	Disposal	
3	The Motor Driver	Check the installation.	The Motor Driver's serial number (S/N) should be same as the ARG units.	① Visual inspection	Replace the correct Motor Driver.		
		Check the installation environment.	The Motor Driver should not be installed in place where likely to get covered in seawater or rainwater.	① Visual inspection			
			The Motor Driver should be installed in correct direction.	① Visual inspection	Request the user to improve.		
			There should be no flammables around.	① Visual inspection			
			There should be enough ventilation to cool the Motor Driver down.	① Visual inspection			
			The ventilation of the Motor Driver should not be obstructed.	① Visual inspection			
			Check the rust, crack or extraneous material.	There should be no rust, deformation or crack.	① Visual inspection	Replace the Motor Driver.	
				There should be no rust in the boards.	① Visual inspection or Hearing	Replace the Motor Driver.	
				There should be no rust in the terminals.	① Visual inspection	Replace the Motor Driver.	
				There should be no extraneous material in the inside of the Motor Driver.	① Visual inspection	Replace the Motor Driver.	
				The spring washer should be compressed securely.	① Visual inspection	Remove extraneous materials.	
				The wiring should be connected in accordance with the installation manual.	① Visual inspection	Tighten.	
		4	Check the operation.	Check the grounding.	The grounding should be performed.	① Visual inspection	Request the user to wire in accordance with the installation manual.
Check the voltage, electric capacity from the power supply.	The using electric parts and cable should be in accordance with the installation manual. The power supply to the Motor driver shall be as follows: Voltage: (three-phase)200-240VAC (single-phase)220-240VAC Capacity (kW): MSM-12500T/1EA (three-phase)3.4kW over (single-phase)3.8kW over MSM-6500T/1EA MSM-17500T/1EA (three-phase)4.0kW over (single-phase)4.3kW over MSM-5000T/1EA MSM-25000T/1EA (three-phase)4.3kW over (single-phase)4.8kW over MSM-37500T/1EA (three-phase)5.2kW over (single-phase)5.8kW over			① Visual inspection	Request the user to improve.	Voltage: V Capacity (Power): kW Capacity (Power): kW	
	The ARG unit should start.			① Check the starting by wind that is blown from the blowholes on the Cover assembly.	Refer to the installation manual.		
	Motor Driver: MAA-2000/4000A-A200/MAA-7500A-A200 - The fan of the inverter should rotate. - The fan of the Motor Driver should rotate.			① Visual inspection	Replace the Motor Driver.		
	When the remote switch is on, the start check lamp should light on.			① Visual inspection	Check the wiring.		
	When rotational speed becomes steady-state (When frequency (rotational speed) becomes steady). the rotation rate check lamp should light on.			① Visual inspection	Check the lamp, which should match one specified in the installation manual.		
	The time to reach the normal rotational speed shall be as follows: MSM-12500T: Approximately 30 minutes MSM-17500T: Approximately 35 minutes MSM-25000T: Approximately 40 minutes MSM-37500T: Approximately 45 minutes			① Measure the time until rotational speed (frequency) of the Touch panel become steady-state.	Check the lamp, which should match one specified in the installation manual. Check the voltage and the capacity (kW) of the power supply (generator). Check the function code data of the Motor Driver, which is correct compared with the specification. Check the voltage and the capacity (kW) of the power supply (generator). Check the voltage and the capacity (kW) of the power supply (generator).		
	Check the rotational direction.			Look at the ARG unit from the top and the rotational direction shall be: ARG S/N: even number: Clock wise (CW) ARG S/N: odd number: Counter clock wise (CCW)	①	Check the rotation direction by wind that is blown from the blowholes on the Cover assembly.	MAA-2000/4000A-A200/MAA-7500A-A200: - Check the function code data of the Motor Driver, which is correct compared with the specification. - If the function code data is not correct → Change the correct code. - If the function code data is correct <Except ARG173T > Check the connection of U/T1/V1/T2/W1/T3 terminal of the Motor Driver and 1,2,3 terminal of the ARG connector. <ARG173T > Check the connection of U/T1/V1/T2/W1/T3 terminal of the Motor Driver and U1/V1 of the ARG connection parts.
	Measure the Motor Driver's current [A] one hour later after the starting.			Current criteria are as follows. MSM-12500T Three-phase: the Touch panel: ≤11A Single-phase: the Touch panel: ≤6A MSM-17500T Three-phase: the Touch panel: ≤12A Single-phase: the Touch panel: ≤8A MSM-25000T Three-phase: the Touch panel: ≤14A Single-phase: the Touch panel: ≤10A MSM-37500T Three-phase: the Touch panel: ≤16A Single-phase: the Touch panel: ≤12A	①	Measure with the Touch panel.	Check the voltage and the capacity (kW) of the power supply (generator). <Except ARG173T > Check the assembly state of the connector. →If you can not find wrong points of the ARG unit after checking as shown above, replace the ARG unit. <ARG173T > Check the assembly state of the connection parts. →If you can not find wrong points of the ARG unit after checking as shown above, replace the ARG unit.
	Measure the Motor Driver's voltage [V] one hour later after the starting.			The Touch panel: 130~200V	①	Measure with the Touch panel.	Request the user to increase the voltage and the capacity (kW) of the power supply (generator).

Table 5-1 Initial Inspection List (3 / 3)

ARG Initial Inspection List (3/3)

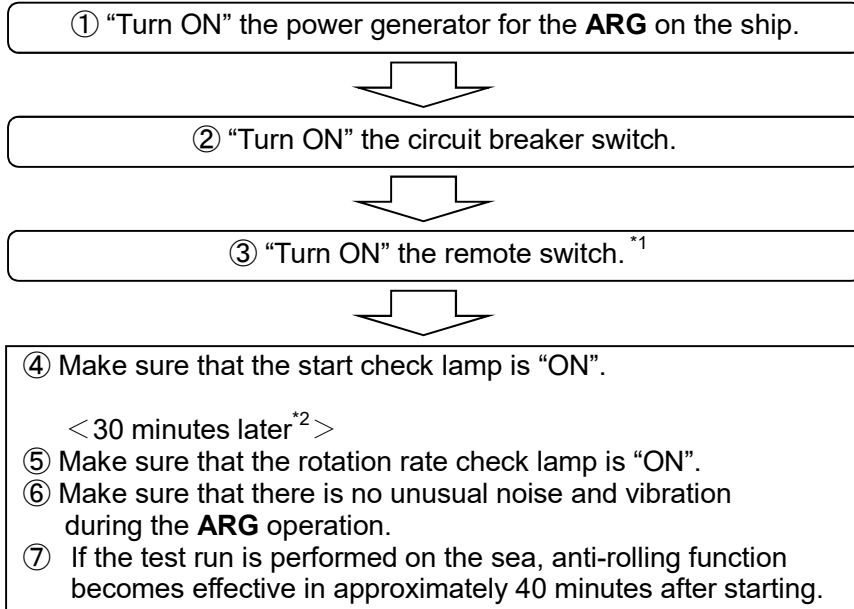
This inspection should be performed by the specified agent that have received the training by Tohmei about the ARG.

No.	Inspection Area	Inspection Item	Criteria	Priority	Inspection method	Result	Disposal
4	Check the operation (Continuous)	Measure the Frequency (Hz) one hour after after the starting	Frequency criteria are as follows: MSM-1200T : the Touch panel : 140~145Hz MSM-1500T : the Touch panel : 140~145Hz MSM-2000T : the Touch panel : 140~145Hz MSM-2500T : the Touch panel : 140~145Hz MSM-3000T : the Touch panel : 140~145Hz MSM-3500T : the Touch panel : 140~145Hz MSM-4000T : the Touch panel : 140~145Hz MSM-4500T : the Touch panel : 140~145Hz MSM-5000T : the Touch panel : 140~145Hz MSM-5500T : the Touch panel : 140~145Hz MSM-6000T : the Touch panel : 140~145Hz MSM-6500T : the Touch panel : 140~145Hz	③	Measure with the Touch panel.	Hz	Request the user to increase the voltage and the capacity (KW) of the power supply (generator).
		Check the unusual noise or vibration.	There should be no unusual noise or vibration.	③	Measure with noise level meter or check with hearing.	① dB(A) ② dB(A) ③ dB(A)	Decrease rotational speed / Use the Anti-vibration rubber / Replace the ARG unit and so on. Measure and record.
		Check the noise.	Measure the noise at the place as show below. ① Around the ARG unit (Distance of 1m) from the ARG unit) ② Cabin ③ Outside	③	Measure with noise level meter. Measure with noise level meter.	① dB(A) ② dB(A) ③ dB(A)	Measure and record.
		Check the supplied PL label	The supplied PL label should be stick to somewhere around the remote switch.	③	Visual inspection Check with the Touch panel The Touch panel : Alarm information 6.AL (The most recent 4 alarm codes) —Clear the alarm information after checking and recording.	Alarm code ① ② ③ ④	Request the user to stick the PL label. Check and record.
5	Condition of usage	Check the alarm code of the Motor Driver.	—	③	Check with the Touch panel. The Touch panel: Maintenance information: 5.OIE —Cumulative motor run time: 5.Z3	Cumulative run time Hr	Check and record.
		Check the cumulative run time.	—	③	—	—	—
		Take photographs of the ARG unit and installation place. Measure the anti-rolling effect etc.	Measure OI(m), Meibacnic height) Measure the rolling angular velocity of the hull when the ARG unit is on and off respectively. (Check and record the measurement condition shown below.) ① Measurement date ② Wave height (Hearing from the captain) ③ Rolling condition (calm, rough, or stormy) ④ Steering or not ⑤ Measurement place	③	Measure with the ARG measurement device.	—	—

5.2 Test Run

Please operate the **ARG** according to the procedure below.

(1) Starting



*1) If number of the Monitoring window is same as below number shown in Table 5-2, **ARG** is normal.

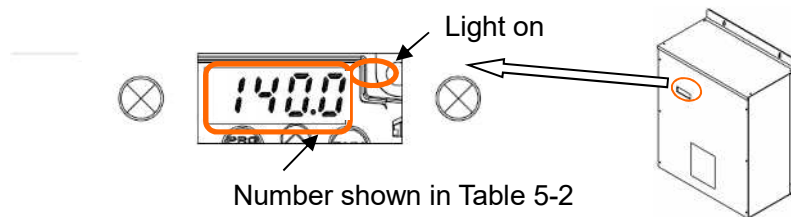
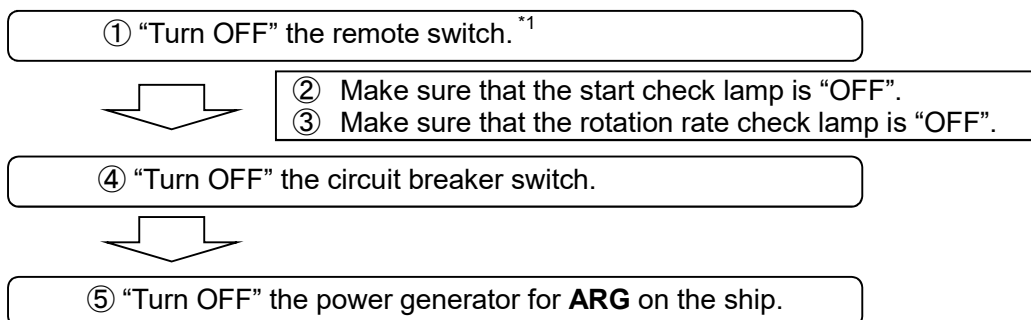


Table 5-2 Indication of the Monitoring window

Elapsed Time	Standing	0 to 30 min	30 min after
Indication	Blink number between 140 and 145	Gradual increase	Steady state between 140 and 145

*2) The **ARG** takes approximately 35 minutes to reach rated rotational speed after turning on the remote switch.

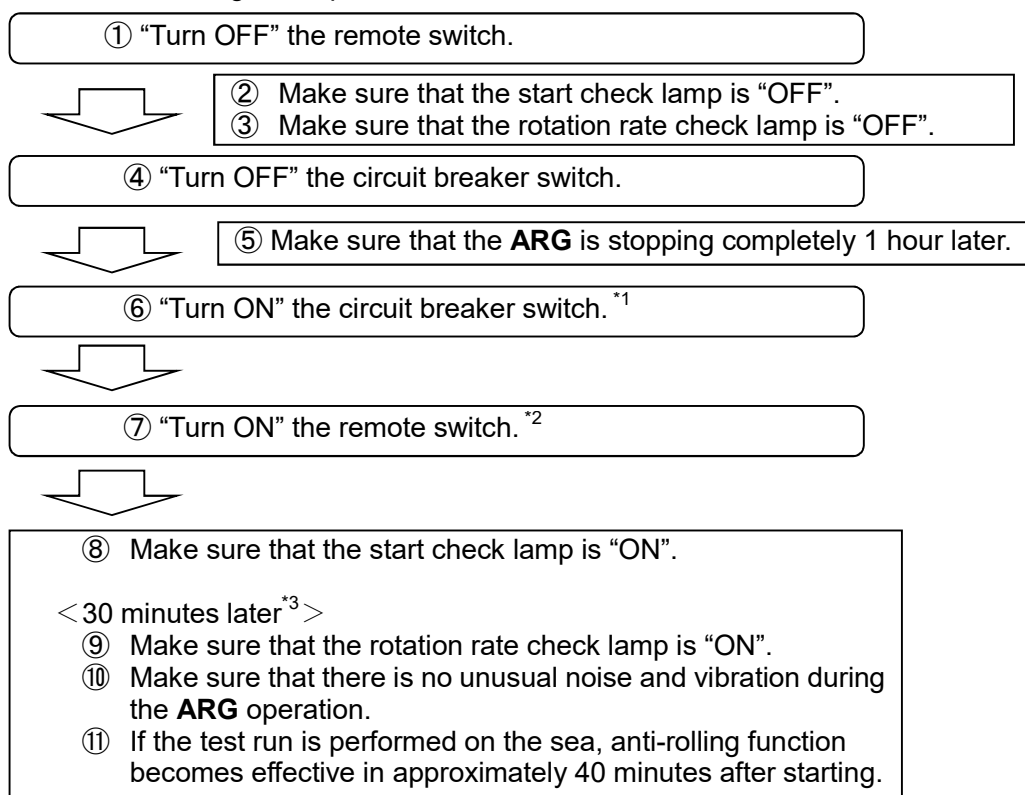
(1) Stopping



*1) After turning off the power supply to the **ARG**, the **ARG** stops its operation gradually. It takes approximately 1 hour until the system stops completely.

5.3 Restarting

Operate the **ARG** according to the procedure below if the **ARG** is restarted due to anomalies.



*1) It takes approximately 1 hour until the **ARG** completely stops after the remote switch has been turned off. If you turn on the switch back before the **ARG** unit has stopped completely, self shutdown circuit may occur due to over current.

In this case, release the over current of the Motor Driver and then restart the **ARG**. It will be better not to restart the **ARG** for at least 1 hour after shutdown.

*2) If number of the Monitoring window is same as shown in Table 5-2, the **ARG** is normal.

*3) The **ARG** takes approximately 35 minutes to reach rated rotational speed after turning on the remote switch.

5.4 Automatic Fast return functions

(1) Description of the functions

The **ARG** has a function called “automatic fast return functions”. It is a function that the **ARG** will not be turned off even when the main power generator is turned off for a moment. This function is valid under the following conditions.

- If the ship temporary uses an electricity from the ground to start the **ARG** and then change it from the ship (power generator) to supply the electricity.
- If there are some power generators on the ship and want to change the generator to get applicable electric capacity during the **ARG**'s operation.

A customer does not need to prepare extra parts or wirings to get this function.

(2) Procedure for automatic fast return functions

A customer does not need to do special operation to get this function.

Table 5-3 describes the procedure to automatically recover the **ARG** after the main power generator is temporarily turned off. When you use this automatic fast return function, check carefully this procedure, the start check lamp and rotation rate check lamp all the time.

Table 5-3 Procedure for automatic fast return function

No.	Operation	ARG 's condition	Power generator	Remote switch	Start check lamp	Rotational rate check lamp
1	The ARG is in operation	Steady-state rotational speed	ON	ON	ON	ON
2	Change the power generator (Turn off the main power generator)	Reduce the rotational speed	OFF		OFF	OFF
3	Change the power generator (Turn on the main power generator)	Restarting	ON		ON	OFF
4	_____	Steady-state rotational speed	ON		ON	ON

Note 1) When temporarily turning off the main power generator with the Automatic Fast return function used, keep the remote switch ON all the time. If you change it to OFF during its operation, the **ARG** will be applied with excessive current and it will start the protective function of the Motor Driver, causing the whole system to stop.

Note 2) If you operate the **ARG** for the first time, follow the procedure below and Section 5.1 “Test run”. If you turn on the **ARG** by the main power generator or the circuit breaker switch with the remote switch set to ON, it starts the automatic fast return function. Then the **ARG** takes for a while to start.

- ①Main power generator is ON → ②Circuit breaker switch is ON
→ ③Remote switch is ON

5.5 Safety functions

The **ARG** has a safety device to stop the **ARG** automatically.
When the **ARG** is operated under the following conditions, the safety device operates and the **ARG** stops.

- The **ARG** generates excessive load by the operation under stormy weather or excessive high wave condition.
- Ambient temperature of the **ARG** becomes high.

If the safety device operates, the start check lamp and rotation check lamp are turned off even when the remote switch is still “on”. (Refer to Table 5-4)
Please contact the Sales Agent according to No.5 of Table 6-1 in paragraph 6, if there is possibility that the safety device operates.

Table 5-4 The safety functions operates

No.	Operation	ARG's condition	Power generator	Remote switch	Start check lamp	Rotation rate check lamp
1	The safety functions operates	Stop (Reduce the rotational speed)	ON	ON	OFF	OFF

6 What to do in case of operational problems

- (1) If any abnormally is found after installation, check the system according to Table 6-1.
 (2) If none of the symptoms in Table 6-1 applies, please contact your sales agent whose address is shown at the end of this manual.

Table 6-1 Fault finding table for the **ARG**

No.	Problem	Possible cause	Step to take
1	The ARG does not operate even though the power switch is ON.	Power circuit is incorrectly wired.	Check the wiring including below. <ul style="list-style-type: none"> • Check if primary power is available. • Check the connection of the terminals R/L1, S/L2, of the Motor Driver, which must be connected to the power supply. • Check the connection of the terminals U/L1, V/L2, W/L3 of the Motor Driver, which must be connected to the ARG unit. • Check the terminals other than specified in this manual are not used. • Check the connection between the Battery power and the ARG. • Check the connecting terminals of the Motor Driver, which must not have any foreign metal residue attached.
		Signal circuit is incorrectly wired.	Check the wiring including below. <ul style="list-style-type: none"> • Check the remote switch wiring is not open-circuited. • Check if there is no short circuit between “CM1” and “SW” of the Motor Driver when the remote switch is OFF. • Check the safety device wiring is not open-circuited. • Check the connecting terminals of the Motor Driver, which must not have any foreign metal residue attached. • Test the circuit wires to check the connection failure.
		Circuit breaker switch is not turned on.	<ul style="list-style-type: none"> • Turn on the circuit breaker switch again according to the procedures in this manual.
		Power generator is not producing enough power.	<ul style="list-style-type: none"> • Check the capacity of the power generator, which must exceed the mass of the total ARG's power used. • Check the phase of the power generator and the R/L1,S/L1 terminals of the Motor Driver if they are using a same phase.
		Restart of the ARG is attempted before it completely stops after shutdown.	<ul style="list-style-type: none"> • Stop the ARG completely, and then restart according to the procedures in this manual. • Check the remote switch was on when turned on the main power generator. Make sure to turn off the remote switch and then turn on the main power generator, then turn on the remote switch.
		Remote switch is not used.	<ul style="list-style-type: none"> • Connect the remote switch between “CM1” and “SW” of the Motor Driver.
		Remote switch is not “OFF”	<ul style="list-style-type: none"> • Turn on the remote switch.
		Select the wrong type of the remote switch.	<ul style="list-style-type: none"> • Check the correct remote switch as specified in this manual.
Wrong starting steps were taken (turned on the automatic fast return function).	Restart the ARG as follows. <ol style="list-style-type: none"> ① Power generator supply: ON ② Circuit breaker switch: ON ③ Remote switch: ON 		

Table 6-1 Fault finding table for the **ARG**

No.	Problem	Possible cause	Step to take
2	Breaker switch trips immediately after it has been turned on.	Power circuit is incorrectly wired.	<ul style="list-style-type: none"> • Check the short circuit of the power circuit between the power generator and the ARG unit. • Check the ground lead and shield line, which must be connected to only the terminal specified in this manual. • Check the Motor Driver's terminal. It must be the one specified in this manual. • Check the connecting terminals of the Motor Driver, which must not have any foreign metal residue attached.
		Ground fault.	<ul style="list-style-type: none"> • Check the short circuit of the power circuit between the power generator and the ARG unit. • Check the ground lead and shield line, which must be connected to only the terminal specified in this manual. • Check the Motor Driver's terminal. It must be the one specified in this manual. • Check the connecting terminals of the Motor Driver, which must not have any foreign metal residue attached.
3	Start check lamp does not light on.	Signal circuit is incorrectly wired.	Check the wirings including below. <ul style="list-style-type: none"> • Check the operation lamp connection between +24 and Y1. • Check the ground lead and shield line, which must be connected to only the terminal specified in this manual. • Check the connecting terminals of the Motor Driver, which must not have any foreign metal residue attached.
		Selected wrong type of lamp.	<ul style="list-style-type: none"> • Check the lamp, which must be the one specified in this manual (+24VDC, 50mA maximum).
		Lamp bulb has blown.	<ul style="list-style-type: none"> • Change the lamp bulb.
		Connection failure	<ul style="list-style-type: none"> • Check the start check lamp wiring is not open-circuit.
4	Rotation rate check lamp does not light on.	Signal circuit is incorrectly wired.	Check the wirings including below. <ul style="list-style-type: none"> • Check the rotation rate check lamp's connection between "+24" and "Y2". • Check the ground lead and shield line, which must be connected to only the terminal specified in this manual.
		Selected wrong type of lamp	<ul style="list-style-type: none"> • Check the lamp, which must be the one specified in this manual (+24VDC, 50mA maximum).
		Lamp bulb has blown.	<ul style="list-style-type: none"> • Change the lamp bulb.
		Connection failure	<ul style="list-style-type: none"> • Check the start check lamp wiring is not open-circuited.
5	The ARG stops after turned on or during the operation	Power generator is not producing enough power.	<ul style="list-style-type: none"> • Check the capacity of the power generator, which must exceed the mass of the total ARG's power used. • Check the phase of the power generator and the R/L1, S/L2, T/L3 terminals of the Motor Driver if they are using a same phase. • The power generator used to supply the ARG is also used for another equipment, which consumes large amount of electricity and it causes the power generator to insufficiently produce the power.
		Electric shutdown because other equipment is turned on.	<ul style="list-style-type: none"> • If other equipment is turned on, it decreases the voltage momentary and it stops the ARG. Please turn on the other equipment first, and then turn on the ARG.
		Operation of the safety device	<ul style="list-style-type: none"> • When the ARG is operated under high ambient temperature, stormy weather or excessive high wave conditions, the ARG may stop. Cool the ambient temperature by ventilation, and contact the Sales Agent.

Table 6-1 Fault finding table for the **ARG**

No.	Problem	Possible cause	Step to take
6	GPS , radio or other equipment makes noise after the ARG is in operation.	The ARG 's noise is affecting the other equipment's noise.	<ul style="list-style-type: none"> • Check the type of the connecting line for the ARG whether appropriate shield line is used. • Check the both side of the shield line if it is grounded to the designated point specified in this manual. • Keep the distance between other equipment and the ARG and/or its wirings. (Noise may be superimposed on AM radio depending on the location.) • Check the ground lead between the ARG and the ship. • <u>Adjust sensitivity when the image of the Fish Finder is noisy and distorted. Refer to the operation instructions of the Fish Finder.</u>
7	During operating ARG by enerator power supply, electronic devices such as IH does not start.	The ARG 's power harmonic is affecting other equipment.	<ul style="list-style-type: none"> • Increase the number of AC power devices (air conditioners, water heaters, etc) to be used.
8	The ARG makes unusual noise or vibration.	Selected wrong rotational direction.	<ul style="list-style-type: none"> • Check the serial number of the ARG unit and the Motor Driver to check they are the same. • Check the connection of U/T1,V/T2,W/T3 terminal of the Motor Driver and U,V,W cable of the ARG.
		Effect of resonance	<ul style="list-style-type: none"> • There is a mechanical resonance point in the ARG during the time that rotational speed becomes steady. Please wait until it becomes steady rotational speed. • If there is a resonance to the hull or wall, take appropriate measures to increase the strength and rigidity of the material of the hull or wall.
		Effect of environmental temperature.	<ul style="list-style-type: none"> • When the environmental temperature is low, the bearings might make some noise especially just after the starting. Wait until the rotational speed becomes steady, and then make sure that it does not make the noise any longer.
9	Oil bleeding / leakage from the damper	Early familiarity in damper	<ul style="list-style-type: none"> • Oil adhering to the seal area during damper manufacturing may temporarily come out. Wipe it off and check for leaks again. • If the leak continues, please contact the sales agents.

(Note) To restart the **ARG**, please follow the Section 5 "Test run" of this manual.

7. Compliance with European standards

The CE marking on **ARG** indicates that they comply with the essential requirements of the Machinery Directive: 2006/42/EC, the Low Voltage Directive (LVD): 2014/35/EU and the Electromagnetic Compatibility (EMC) Directive: 2014/30/EC issued by the Europe. They conform to the following harmonized standards.

By connected with external EMC filter(Okaya; 3SUP-HE50-ER-6, TDL-Lambda; RTEN-5060), **ARG** satisfy EMC Directives.

Using the following harmonized standards

Machinery Directive : EN ISO 12100:2010
 Low Voltage Directive : EN 60204-1:2006+A1:2009
 EMC Directives : EN 61000-6-2:2005
 EN 61000-6-4:2007+A1:2011

8. Compliance with Ignition Protection

ARG65T satisfy the requirements of Ignition Protection by conducting structural evaluation (expect Motor Driver and Power Inverter) and test evaluation according to UL1500 "STANDARD FOR IGNITION-PROTECTION TESTFOR MARINE PRODUCTS-EDITION3".

目次

	ページ
はじめに	60
重要なお知らせ	61
1. 安全上のご注意	64
1.1 警告表示の種類と意味	64
1.2 警告表示位置	65
1.3 ARG 取付・試運転の注意事項	66
1.4 現品の確認	67
1.5 船体に取付ける前に	68
1.6 船体への取付	69
1.7 試運転	74
1.8 ARG を廃棄する場合	75
2. 現品の確認	76
2.1 梱包箱から取り出したら	77
2.2 ARG 本体	82
2.3 モータドライバ	85
3. 船体に取り付ける前に	88
3.1 ARG の発生荷重	88
3.2 設置場所の選定、及び補強	89
4. 船体への取付	94
4.1 ARG 本体の取付	94
4.2 モータドライバの取付	99
4.3 配線	102
5. 試運転	117
5.1 試運転前に	117
5.2 試運転方法	122
5.3 再起動方法	124
5.4 瞬時自動復帰機能	125
5.5 安全装置	126
6. 船体検査	127
7. 異常時の処置	128
8. 点火保護 (Ignition Protection)	130

はじめに

この取付要領書は販売店の指定した取付け専門業者用です。

また、この取付要領書は、**Anti Rolling Gyro**（以下 **ARG**）を正しく有効に船体に取り付けるために必要な事柄をまとめたものです。**ARG** を船体に取り付ける前に必ずお読み下さい。

本書は、最終的に本製品をご使用になるお客様のお手元まで、確実に届けられるようお取り計らい願います。

重要なお知らせ

■使用目的・用途

- ・ **ARG** は船体の横揺れを改善する装置です。
- ・ **ARG** は、高速回転するコマが傾くことによってジャイロトルク（力）が発生する原理を応用しています。

■全般について

- ・ 上記の目的を安全に行うために
 - (a) 教育を受けた整備員以外の方は、**ARG** の試運転・点検作業を実施しないで下さい。
 - (b) **ARG** の取付作業を行う前に、必ずこの取付要領書を熟読し、内容を十分に理解して下さい。不十分な理解で取付作業を行うと、予期せぬ原因で人身事故および船体、**ARG** の故障につながります。
 - (c) 分解、改造はしないで下さい。分解、改造をされた場合、
 - －**ARG** の能力が失われます。
 - －人命に危険が及ぶおそれがあります。
 - －健康を阻害するおそれがあります。
 - －船体や **ARG** を損傷するおそれがあります。
- ・ 船種によって、複数台の **ARG** を使用する場合、この取付要領書の取付方法、電気配線の方法と多少異なることがあります。
- ・ **ARG** は日本国内向け製品です。
- ・ 関連する国および地方行政機関の法令や規則を守って下さい。
ARG に関する関連法規は以下の通りです。
 - (a) 労働安全衛生法
 - (b) 労働安全衛生規則
 - (c) 電気設備技術基準
- ・ **ARG** は「外国為替および外国貿易管理法」などによる輸出規制対象品です。輸出する場合は国や行政機関で定められた方法に従って下さい。
- ・ **ARG** の廃棄処理を行うときは、国や行政機関で定められた方法に従って下さい。

■ 取付作業および運転操作安全上の重要事項

- ・ 安全対策の最も重要な目的は人身事故を防止すると共に、船体、**ARG** を守ることです。
- ・ けが、死亡災害あるいは船体、**ARG** の損傷を防ぐには、安全第一の考えでこの取付要領書および付属の取扱説明書の注意事項や順守事項、正常な **ARG** 使用法の記述を守ることです。守らない場合は、
 - (a) 人命に危険が及ぶおそれがあります。
 - (b) 健康を阻害するおそれがあります。
 - (c) 船体や **ARG** を損傷するおそれがあります。
- ・ 弊社は **ARG** 自体に存在する危険、ヒューマンエラーなど人に起因する危険および **ARG** が使用される環境条件による危険をすべて予見することはできません。**ARG** をお使いいただく上で「守らなければならないこと」、「できないこと」や「していけないこと」は極めて多くあり、この取付要領書および付属の取扱説明書や警告表示ですべて伝えることはできません。したがって **ARG** の運転を行う場合は、この取付要領書および付属の取扱説明書に記載されている事項だけでなく、一般的に求められる安全対策の考慮も必要です。
- ・ 弊社は、この取付要領書および付属の取扱説明書の指示事項をお守りいただけない場合や、通常必要とされる注意・用心をもって **ARG** の運転をされないことにより、お客様に生じた損害または損傷に対して一切責任を負いません。

■ 取付要領書について

- この取付要領書は、日本語を母国語とする人を対象にして作成しています。日本語を母国語としない人が **ARG** を取扱う場合は、お客様において、取扱者に対して安全指導を徹底して下さい。
- この取付要領書の著作権を有し、すべての権利は弊社に留保されます。この取付要領書を含む図面および技術文献は全体もしくは部分的にかかわらず、弊社の事前の文書による同意なしに公開、複写、翻訳してはならず、また読み取りのできるいかなる電子装置や機械にも転写してはなりません。
- 購入された **ARG** はこの取付要領書の図と異なっていることがあります。
- この取付要領書の内容は、将来予告なく変更することがあります。
- この取付要領書は、いつでも利用できるように所定の場所に大切に保管して下さい。
- 取付作業及びこの取付要領書の内容について質問等があるときは、この取付要領書裏面に記載してある、お買い上げの販売店に連絡して下さい。
- この取付要領書の内容について万一ご不審な点や、お気付の点がありましたら、販売店へご連絡下さい。



1 安全上のご注意

1.1 警告表示の種類と意味







■ 表示の説明

取付要領書中の「警告文」および「警告表示」は取付・運転時に想定される危険な状況を、以下のカテゴリで表示される「警告用語」と共に警告しています。

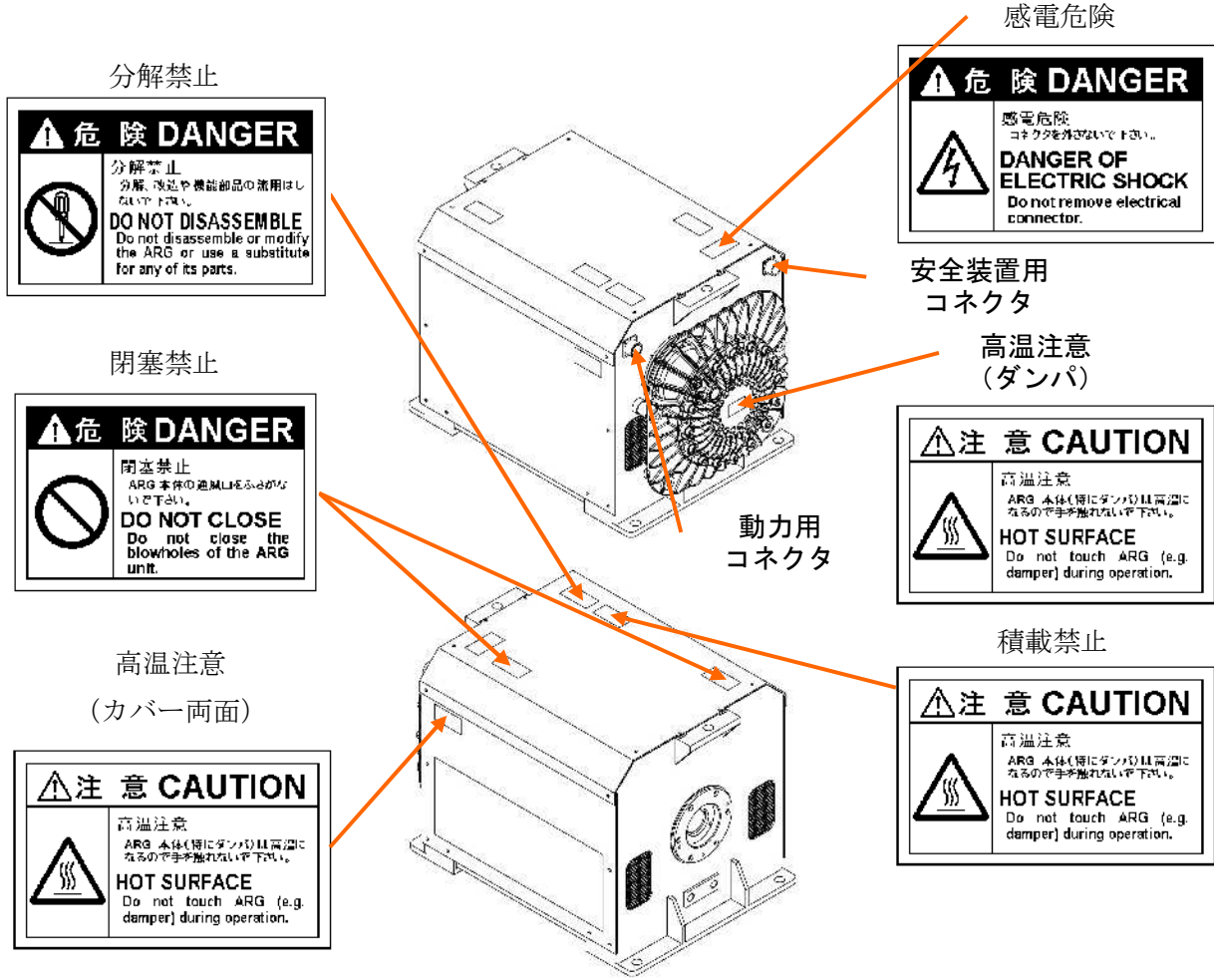
警告文の内容を無視すると、その警告文に付された「警告用語」に応じた事故につながります。極端な場合、死亡事故、船体および **ARG** 破損、環境被害につながるおそれがあります。

警告用語	警告用語の意味
重要	重要は、 ARG の取り扱いの際に遵守すべき原則を示しています。この表示を無視して誤った取り扱いをすると、重大な事故の原因となります。
 危険	この表示を無視して、誤った取り扱いをすると、人が死亡または重傷を負う可能性、重度な物的損害、または環境への被害が想定される内容を示しています。
 注意	この表示を無視して、誤った取り扱いをすると、人が障害を負う可能性、軽度な物的損害、または環境への被害が想定される内容および物的損害のみの発生が想定される内容を示しています。

■ 図記号の意味

図記号	意味	使用例
 禁止標識	⊘ 記号は禁止（してはいけないこと）を示します。 具体的な内容は、⊘ の中や近くに絵や文章で示します。 右図の場合は“分解禁止”を示します。	 (分解禁止)
 警告標識	△ 記号は危険または、注意を示します。 具体的な内容は、△ の中や近くに絵や文章で示します。 右図の場合は“感電による危険”を示します。	 (感電危険)
 指示標記	● 記号は強制（必ず守ること）を示します。 具体的な内容は、● の中や近くに絵や文章で示します。	 (一般指示)

1.2 警告表示位置

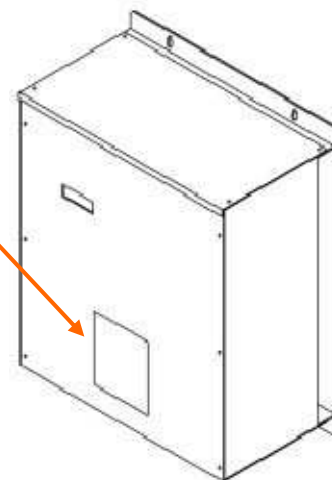


ARG 本体

感電危険、分解禁止、閉塞禁止



モータドライバ



1.3 ARG 取付・試運転の注意事項

ARG を取付けおよび試運転される時は、以下の「重要」に示す内容を守ってください。

重要



一般的注意事項

- ・ 取付の際はこの取付要領書を必ず読んで内容を十分に理解して下さい。
- ・ 運転の際は取扱説明書を必ず読んで内容を十分に理解して下さい。



取付環境について

- ・ この取付要領書に記載の取付環境を守って下さい。



現品の確認について

- ・ 部品の損傷や欠品が見つかった場合、取付を行わないで下さい。



船体取付位置について

- ・ **ARG** 本体の取付位置は、船の重心、バランス等の船体性能や、補強方法を十分に考慮して選定して下さい。
船体性能の低下の原因となります。

船体への取付について

- ・ クレーンの操作は有資格者が行い、この取付要領書の記載事項を守って下さい。
- ・ **ARG** の電気配線作業は、電気工事の有資格者が行ってください。
- ・ モータドライバは指定されたものを使用し、取扱いはこの取付要領書の記載事項を守って下さい。

試運転について

- ・ **ARG** の試運転および点検作業は教育を受けた整備員が実施して下さい。
- ・ 試運転中に異常が発生した場合は直ちに運転を停止し、この取付要領書裏面に記載してあるお買い上げ販売店に連絡して下さい。

ARG の廃棄について

- ・ **ARG** 本体とモータドライバ及び付属品を廃棄する場合は、各国の法令や地方の条令に従って下さい。不法投棄は処罰の対象となります。

1.4 現品の確認

 危険



損傷している、あるいは、部品が欠品している場合、そのまま取付を行わないで下さい。

けが、故障の原因となります。

(参照ページ P.75)



ARG 本体、モータドライバ、および、付属品を仮置きする場合は、以下の場所に仮置きして下さい。

- ・ 直射日光、水分等が当たらない場所
- ・ 平らな場所
- ・ 粉塵のない場所
- ・ 振動のない場所

故障の原因となります。

(参照ページ P.75)

1.5 船体に取付ける前に

 危険



ARG を分解したり、**ARG** の構成部品を取り替えたり(不正改造)、他の用途に使用したりすると、破損、故障、けが、感電の原因となります。

(参照ページ P.88)



ARG 本体の取付位置は、船の重心、バランス等の船体性能や、補強方法を十分に考慮して選定して下さい。

船体性能の低下の原因となります。

(参照ページ P.88)

ARG に関する作業が閉鎖空間で行われる場合は、換気をして下さい。

使用される材料によっては、中毒の原因となります。

(参照ページ P.88)

ARG 本体は以下の場所に設置して下さい。

- ・ 波、雨、風、直射日光等の当たらない場所
- ・ 有害なガス、粉塵、液体、オイルミスト等の無い場所
- ・ 取付面が平らな場所
- ・ **ARG** の発生荷重に十分に耐えられる強度、剛性を有し、船体の強度部材へ **ARG** の発生荷重が伝わる場所
- ・ 振動の少ない場所
- ・ 指定された周囲温度範囲内の場所
- ・ 周囲に可燃物や熱による影響を受けるものが無い場所
- ・ **ARG** 本体の周囲 200mm 以上の空間を確保できる場所
しかし、定期点検ができるならば、この空間(200mm 以上)は目安となります
- ・ 乗船者が容易に触ることのできない場所

感電、**ARG** 本体の故障、船体の破損、火災の原因となります。

(参照ページ P.88)

⚠ 危険



モータドライバは以下の場所に設置して下さい。

- ・ 波、雨、風、直射日光等の当たらない場所
- ・ 有害なガス、粉塵、液体、オイルミスト等の無い場所
- ・ 取付面が平らな場所
- ・ 振動の少ない場所
- ・ 指定された周囲温度範囲内の場所
- ・ 周囲に可燃物や熱による影響を受けるものが無い場所
- ・ モータドライバの周囲 200mm 以上の空間を確保できる場所
- ・ 乗船者が容易に触ることのできない場所

感電、故障、火災の原因となります。

モータドライバ、パワーインバータは、UL1500"STANDARD FOR IGNITION-PROTECTION TESTFOR MARINE PRODUCTS-EDITIONS3"に従い、Ignition Protection(点火保護)の試験評価を実施しておりますが、リレーを使用していますので、ガソリン等の爆発性雰囲気のないところに取付をして下さい。

(参照ページ P.92)

1.6 船体への取付

⚠ 危険

	<p>モータドライバの重量は約 13kg です。取付け、取外しの際には落下させないで下さい。</p> <p>けが、故障の原因となります。 (参照ページ P.98)</p>
	<p>モータドライバの入力端子(R/L1、S/L2 端子)、及び、出力端子(U/T1、V/T2、W/T3 端子)は、端子間で接続(短絡)しないで下さい。</p> <p>故障、火災の原因となります。 (参照ページ P.103)</p>
	<p>電気配線の接続作業時は、必ず電源を切って実施して下さい。</p> <p>感電の原因となります。 (参照ページ P.101)</p>
	<p>濡れた手で電気スイッチを操作したり、配線作業を行わないで下さい。</p> <p>感電の原因となります。 (参照ページ P.101、110)</p>

⚠ 危険



モータドライバ電源 OFF 後、しばらくの間はモータドライバ内に電圧がチャージされております。モータドライバ電源 OFF 後に配線作業を行う場合は、モータドライバ電源を遮断して 5 分経過し、タッチパネルが消灯したことを確認し、配線作業を実施して下さい。

感電の原因となります。

(参照ページ P.108)



ARG 本体は重量物(約 234kg)です。重量に応じたクレーン等を使用して下さい。けが、もしくは **ARG** 本体、船体の破損の原因となります。(参照ページ P.95)

ARG 本体を吊り上げる時は、必ず専用の吊上げ用アイボルトを使用して下さい。

けが、もしくは **ARG** 本体、船体の破損の原因となります。(参照ページ P.95)

ARG 本体の運搬時には、以下のことを確認して下さい。

- ・ 吊上げ用アイボルトが規定トルクで締め付けられていること。
- ・ アイボルトが図 4-4 に示す取付方向になっていること。

けが、もしくは **ARG** 本体、船体の破損の原因となります。(参照ページ P.95)

モータドライバの取付方向を必ず守って下さい。取付方向を間違えて設置すると、水分等が入り、感電、火災の原因となります。(図 4-6 参照)

(参照ページ P.98)

モータドライバは、金属等の不燃物に取り付けて下さい。

火災の原因となります。

(参照ページ P.98)

モータドライバと **ARG** 本体との接続は、組み合わせが決まっています。銘板に記載されているシリアル番号(**ARG** S/N)を確認し、同一の組み合わせとなるように接続して下さい。(図 4-7 参照)

けが、故障の原因となります。

(参照ページ P.98)

作業前に金属物(指輪、時計等)は外して下さい。

感電の原因となります。

(参照ページ P.101)

危険



絶縁対策工具を使用して下さい。
感電の原因となります。 (参照ページ P.101)

電気配線作業は、電気工事の有資格者が行って下さい。
感電、故障、火災の原因となります。 (参照ページ P.101)

電気配線の接続作業にあたり、用途にあった適切な工具を使用して下さい。
感電、火災の原因となります。 (参照ページ P.103)

配線作業は、確実に実施して下さい。
感電、火災の原因となります。 (参照ページ P.103)

配線の接続部は、必ず絶縁して下さい。
感電、火災の原因となります。 (参照ページ P.103)

電源とモータドライバの間には、必ずブレーカを設置して下さい。
感電、火災の原因となります。 (参照ページ P.103)

ケーブルは、本書に記載の仕様(表 2-2)のものを使用して下さい。また、使用ケーブルは、JIS C 3410(船用電線準拠品)に合致し、できる限り短く、太い線材を使用して下さい。火災の原因となります。 (参照ページ P.103)


各機器の接続端子形状、サイズ、電力にあった圧着端子を使用して下さい。
感電、火災の原因となります。 (参照ページ P.103)

モータドライバのアース端子から船体のアースポイントに接地して下さい。また、**ARG** 本体のアースは、**ARG** 吊上げ用のアイボルト取付部近傍のアースポイントでアース線をボルト接続し、船体のアースポイントに接地して下さい。
感電の原因となります。 (参照ページ P.103)



ケーブルが引っ張られないように、モータドライバから出たケーブルをクランプ等で船体に固定して下さい。
感電の原因となります。 (参照ページ P.108)

配線・点検完了後、モータドライバの蓋は、確実にかぶせてねじ止めして下さい。
感電、故障、火災の原因となります。 (参照ページ P.108)

危険

	<p>必ず P.110～115 に示す順序で、適切な工具を使用し、コネクタを組立てて下さい。また、誤った組立で使用すると感電、故障、火災の原因となります。 (参照ページ P.110)</p>
	<p>ソケットコンタクトのかしめ側に空いている小さな穴からケーブルの心線が確認できる状態のかしめて下さい。 感電、火災の原因となります。 (参照ページ P.110)</p>
	<p>ARG 動力用コネクタと、ARG 安全装置用コネクタを間違えて使用しないで下さい。感電、火災の原因となります。 (参照ページ P.110)</p>

注意

	<p>ARG 本体カバーは、強度部材ではありませんので、ARG 本体カバーの上に物を載せたり、人が乗ったり、腰掛けたりしますとカバーの破損原因となります。また、作動中は、カバー内部の部品が高速で回転しており、カバーが破損しますと、けが、故障の原因となります。 (参照ページ P.96)</p>
	<p>モータドライバ内で既に接続されている配線は、絶対に取り外さないで下さい。故障の原因となります。 (参照ページ P.104)</p>
	<p>本書の配線図に記載されていないモータドライバ端子は使用しないで下さい。故障の原因となります。 (参照ページ P.104)</p>
	<p>モータドライバ内にある”タッチパネル”(P.47 参照)のキー操作は、教育を受けたサービスマン以外の方は行わないで下さい。誤って、キー操作を行ってしまうと、誤作動や故障の原因となります。 (参照ページ P.104)</p>
	<p>ARG とモータドライバ間のパワーケーブルは、他の配線と一緒に固縛しないでください。また配線は短く、ループを作らないでください。モータドライバの筐体に、他機器のグラウンドを配線しないでください。 電磁ノイズ発生の原因となります。 (参照ページ P.105)</p>
	<p>ARG 本体、モータドライバを移動するときは、周囲の物や人に当たらないよう注意して下さい。また、強い衝撃を与えないで下さい。 けが、もしくは ARG、船体の破損の原因となります。 (参照ページ P.96)</p>
	<p>ARG カバーを取扱う際には、角部に注意して下さい。 けがの原因となります。 (参照ページ P.96)</p>

 **注意**



ARG 本体の移動終了後、**ARG** 吊上げ用アイボルトは取り外して下さい。
けがの原因となります。
また、メンテナンス時に使用するため、大切に保管して下さい。

(参照ページ P.96)

ARG 本体の設置は、付属の船体取付用部品を使用して下さい。

ARG 本体、船体の破損の原因となります。

(参照ページ P.96)

ARG 本体の取付ボルト/ナットの締付けは、必ず規定トルクで締付けて下さい。
取付ボルト/ナットの緩みによって **ARG** 本体、船体の破損の原因となります。

(参照ページ P.96)

ARG 本体の取付から 1~2 日後に、規定トルクで増し締めを実施して下さい。
取付ボルト/ナットの緩みによって **ARG** 本体、船体の破損の原因となります。

(参照ページ P.96)

アルミ船に **ARG** 本体を取り付ける場合、異種金属接触部の電飾を考慮し(取付面の絶縁処理または流電陽極法等を実施し)取り付けて下さい。取付例を図 4-5 に示します。船体の破損の原因となります。

(参照ページ p.97)

モータドライバは、必ず当社指定のものをご使用下さい。万一、別機種が使われますと装置の故障の原因となります。

(参照ページ P.98)




船体の電源電圧とモータドライバの入力電圧が合致していることを確認して下さい。

故障の原因となります。




(参照ページ P.100)

1.7 試運転

 **危険**


	<p>ARG 本体のカバーを取り外さないで下さい。 ARG の作動中は、内部の部品が高速で回転しているため、けがの原因となります。 (参照ページ P.116)</p>
	<p>ARG の通風口をふさがないで下さい。 ARG 本体、モータドライバの内部が高温となり、故障、火災の原因となります。 (参照ページ P.116)</p>
	<p>ARG は、防水構造になっていません。海水/雨等にかかった時は、ARG を絶対に作動させないで下さい。 感電、故障の原因となります。 (参照ページ P.116)</p>
	<p>運転中に異音、異常な振動等が発生した場合、またその他の何らかの異常に気付いたときは、直ちに電源を“OFF”にして、ARG を停止させて下さい。 そのまま運転を続けると思わぬ事故を引き起こす原因となります。 (参照ページ P.116)</p>
	<p>海上で運転する場合、全台数作動させて下さい。 搭載台数より少ない台数で運転されますと、過大な負荷がかかり故障の原因となります。 (参照ページ P.116)</p>
	<p>ダンパに貼付されているサーモラベルが 80 もしくは 90 の箇所に色がついている場合は販売店に連絡して下さい。 船体の破損、ARG の故障、けがの原因となります。 (参照ページ P.116)</p>
	<p>ダンパに油漏れがある場合は、販売店に連絡して下さい。 船体の破損、ARG の故障、けがの原因となります。 (参照ページ P.116)</p>
	<p>ダンパのダンピング調整ねじを緩めないでください。 ダンパのダンピング調整ねじのスリップマークがずれている場合は、販売店に連絡をしてください。 船体の破損、ARG の故障、けがの原因となります。 (参照ページ P.116)</p>

注意

	<p>ARG の通風口から異物、粉塵等を入れないで下さい。 故障の原因となります。 (参照ページ P.117)</p>
	<p>ARG の作動中は、ARG 本体に近づかないで下さい。 けがの原因となります。 (参照ページ P.117)</p>
	<p>ARG はリモートスイッチ“OFF”後完全停止までには、約 1 時間かかります。 完全停止するまで ARG 本体及びモータドライバに近づかないで下さい。 けがの原因となります。 (参照ページ P.117)</p>
	<p>ARG 作動中および、停止後しばらくの間は、高温となるため、ARG 本体に触れないで下さい。 やけどの原因となります。 (参照ページ P.117)</p>
	<p>カバーの取付/取外しを行う場合または、内部点検を行う際は、ケーブルを破損させないように注意して下さい。 故障の原因となります。 (参照ページ P.117)</p>

1.8 ARG を廃棄する場合

危険

	<p>ARG 本体とモータドライバ及び付属品を廃棄する場合は、各国の法令や地方の条例に従って下さい。</p>
---	---

2 現品の確認

2.1 梱包箱から取り出したら

ARG は、**ARG** 本体、モータドライバ、および、付属品から構成されています。船体に取り付ける前に、表 2-1 に示すチェックリストをご使用になり、図 2-1、2-2、2-3 の部品があることを確認して下さい。
また、表 2-2 のものは、お客様で手配いただきますようお願い致します。

⚠ 危険



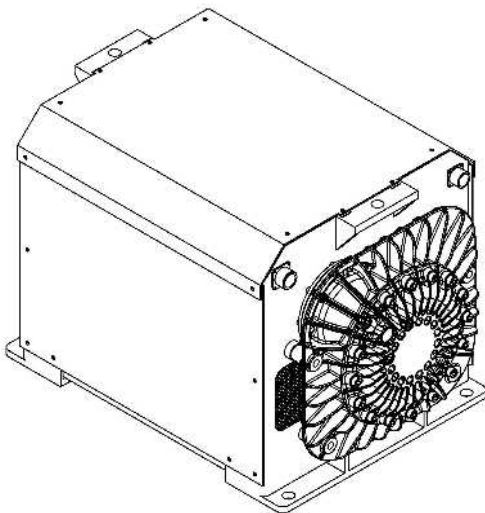
損傷している、あるいは、部品が欠品している場合、そのまま取付を行わないで下さい。
けが、故障の原因となります。



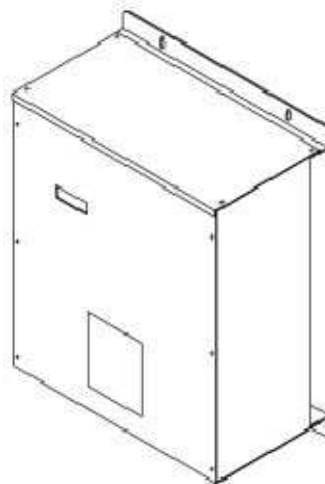
ARG 本体、モータドライバ、および、付属品を仮置きする場合は、以下の場所に仮置きして下さい。

- ・ 直射日光、水分等が当たらない場所
- ・ 平らな場所
- ・ 粉塵のない場所
- ・ 振動のない場所

故障の原因となります。



ARG 本体
(MSM-6500T-A1、1 台)



モータドライバ
(MAA-25000B-A200、1 台)

図 2-1 梱包箱の中味の確認 (その 1)

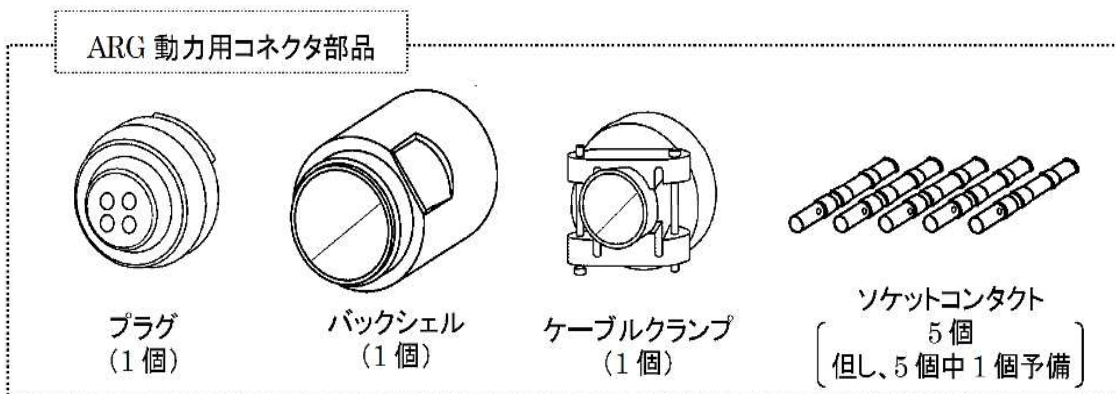
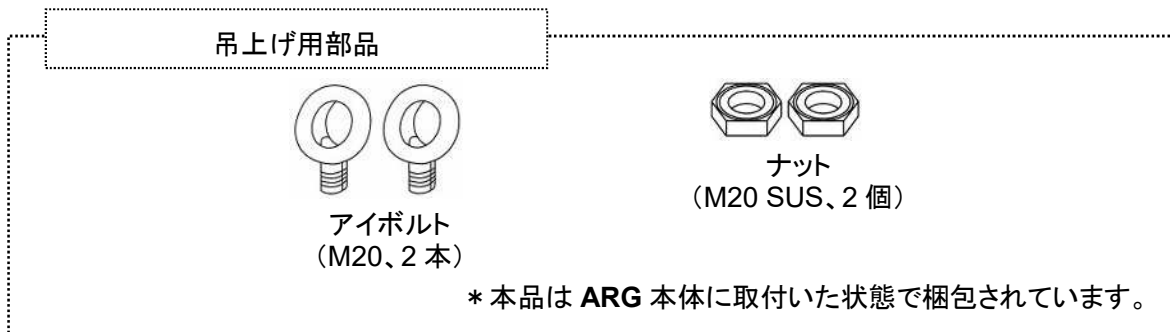
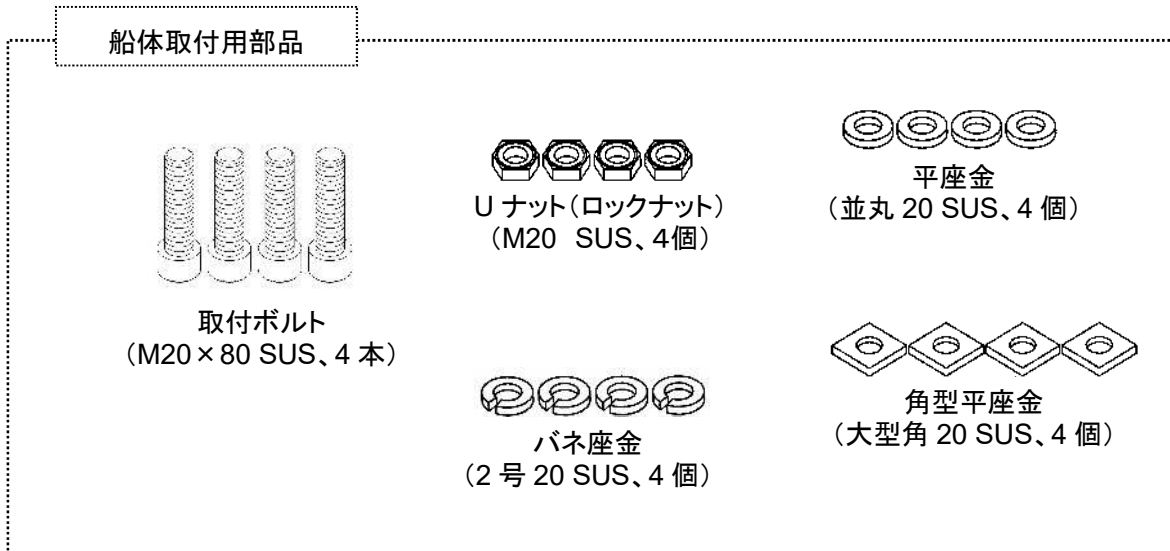
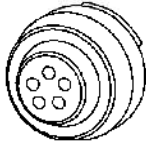
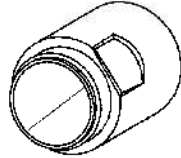


図 2-2 梱包箱の中味の確認 (その 2)

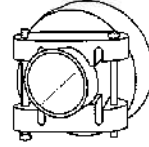
ARG 安全装置用コネクタ部品



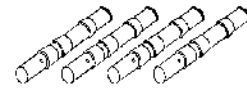
プラグ
(1 個)



バックシェル
(1 個)

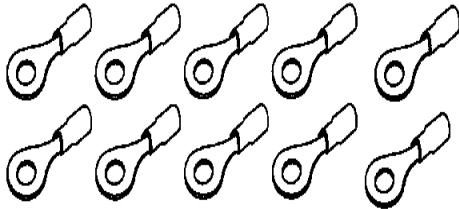


ケーブルクランプ
(1 個)

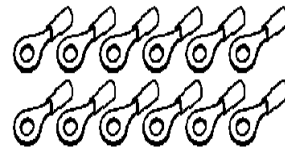


ソケットコンタクト
4 個
〔但し、4 個中 1 個予備〕

ケーブル配線用部品

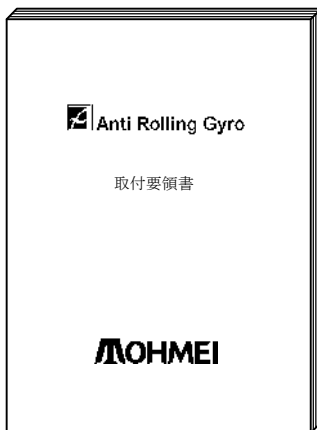


モータドライバ配線用
圧着端子
(V5.5-4 10 個)

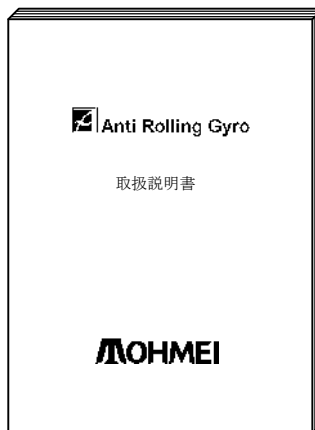


モータドライバ配線用
圧着端子
(V1.25-3 12 個)

添付書類



取付要領書[本書](1 冊)



取扱説明書(1 冊)



警告ラベル(1 枚)

図 2-3 梱包箱の中味の確認 (その 3)

表 2-1 ARG 部品チェックリスト

項目	品名	数量	お客様 チェック欄
ARG 本体	MSM-6500T-A1	1 台	<input type="checkbox"/>
モータドライバ	MAA-25000B-A200	1 台	<input type="checkbox"/>
船体取付用 部品	取付ボルト (M20×80 SUS)	4 本	<input type="checkbox"/>
	U ナット(ロックナット) (M20 SUS)	4 個	<input type="checkbox"/>
	バネ座金 (2 号 20 SUS)	4 個	<input type="checkbox"/>
	平座金 (並丸 20 SUS)	4 個	<input type="checkbox"/>
	角型平座金(大型角 20 SUS)	4 個	<input type="checkbox"/>
吊上げ用部品	アイボルト (M20)	2 本	<input type="checkbox"/>
	ナット (M20 SUS)	2 個	<input type="checkbox"/>
ARG 動力用 コネクタ部品	ソケット コンタクト (CE01-#08S-C1M-10)	5 個	<input type="checkbox"/>
	バック シェル (CE01-22BS-DS)	1 個	<input type="checkbox"/>
	プラグ (CE01-6A22-22SC-D0)	1 個	<input type="checkbox"/>
	ケーブル クランプ (CE3057-12A-1-D)	1 個	<input type="checkbox"/>
	ダスト キャップ (97121-422R)	1 個	<input type="checkbox"/>
ARG 安全装置用 コネクタ部品	ソケット コンタクト (CE01-#12-C1M-10)	4 個	<input type="checkbox"/>
	バック シェル (CE01-18BS-DS)	1 個	<input type="checkbox"/>
	プラグ (CE01-6A18-11SC-D0)	1 個	<input type="checkbox"/>
	ケーブル クランプ (CE3057-10A-1-D)	1 個	<input type="checkbox"/>
	ダスト キャップ (97121-418R)	1 個	<input type="checkbox"/>
ケーブル配線用 部品	モータドライバ配線用圧着端子 (V5.5-4)	10 個	<input type="checkbox"/>
	モータドライバ配線用圧着端子 (V1.25-3)	12 個	<input type="checkbox"/>
添付書類	取付要領書 [本書]	1 冊	<input type="checkbox"/>
	取扱説明書	1 冊	<input type="checkbox"/>
	警告ラベル	1 枚	<input type="checkbox"/>

表 2-2 お客様 手配部品リスト

No.	項 目	数量	備考
1	交流 単相 210~240V 50/60Hz 電源(発電機)	1 式	ARG1 台当たり、 最大消費電力 3kW 以上
2	ブレーカスイッチ	1 式	交流 単相 AC210~240V、15A
3	ARG 本体~モータドライバ間 動力配線	1 式	JIS C 3410 船用電線準拠品 2mm ² 以上×3 芯 外形：φ 13~25mm シールド付き
4	ARG 本体~モータドライバ間 動力配線用接続部品 (圧着端子等)	1 式	ARG1 台当たりの仕様 単相：AC200~240V、15A 防水タイプ
5	電源~ブレーカスイッチ ~モータドライバ間 動力配線	2 式	JIS C 3410 船用電線準拠品 2mm ² 以上×2 芯 (注) 外形：φ 13~25mm シールド付き
6	リモートスイッチ~ モータドライバ間配線	1 式	JIS C 3410 船用電線準拠品 1.0mm ² 以上×2 芯 シールド付き
7	リモートスイッチ	1 式	レバーを相反する 2 方向に手動で動 かすことによって、接点の開閉を保 持できる無電圧接点スイッチ
8	作動確認用ランプ~ モータドライバ間配線	1 式	JIS C 3410 船用電線準拠品 1.0mm ² 以上×2 芯 シールド付き
9	作動確認用ランプ	1 式	定格+24VDC、定格 50mA 以下、 LED 式表示灯など
10	定常回転到達ランプ~ モータドライバ間配線	1 式	JIS C 3410 船用電線準拠品 1.0mm ² 以上×2 芯 シールド付き
11	定常回転到達ランプ	1 式	定格+24VDC、定格 50mA 以下、 LED 式表示灯など

(注)1 台当たりの必要太さを示しています。2 台以上を同一ケーブルでご使用になる場合は、本書に記載の容量に合った線の太さを選定して下さい。

表 2-2 お客様 手配部品リスト

No.	項 目	数量	備考
12	ARG 本体～モータドライバ間 安全装置配線	1 式	JIS C 3410 船用電線準拠品 1.25mm ² 以上×2 芯 シールド付き
13	ARG 本体～モータドライバ間 信号用接続部品 (圧着端子等)	1 式	ARG1 台当たりの仕様 DC24V、2A 以下 防水タイプ
14	モータドライバ取付用ねじ、 平座金、ばね座金	1 式	M6×4 本、並丸 6×4 個、 2 号 6×4 個
15	アース線 (ARG 本体用、モータドライバ 用)	2 式	JIS C 3410 船用電線準拠品 2mm ² 以上×単芯 (注) 外形：φ10～14mm
16	熱収縮チューブ	少量	ケーブル配線用
17	絶縁テープ	少量	ケーブル配線用

(注)1 台当たりの必要太さを示しています。2 台以上を同一ケーブルでご使用になる場合は、本書に記載の容量に合った線の太さを選定して下さい。

2.2 ARG 本体

①仕様

表 2-3 ARG 本体 (1 台あたり)

項目	仕様
名称	ARG65T
型式	MSM-6500T-A1
寸法	最大 525 mm (高さ) × 741 mm (幅) × 536 mm (奥行)
質量	約 234 kg
使用温度範囲	-10 ~ 40 °C
電源	交流電源 210~240V, 50/60Hz (MAA-25000B-A200 使用)
消費電力 *1)	最大 1.8 kW、定格 1.4kW 以下
出力トルク	約 6,500 Nm
角運動量	約 1,300 Nms
回転数	約 4,200 rpm
騒音 *2)	80 dBA 以下
振動 *2)	1 m/s ² 以下
主要機能	<ul style="list-style-type: none"> ・船の横揺れを改善する装置です。 ・ARG は、高速回転するコマが傾くことによってジャイロトルク (力) が発生する原理を応用しています。 ・異常時 (過負荷、異常温度等) に自動停止をします。
その他	定常運転状態となるまでの時間 約 30 分間 定常運転状態から完全停止するまでの時間 約 60 分間

* 1) お客様の発電機容量によっては消費電力が異なることがあります。

* 2) 弊社規定条件で計測。

計測値は、計測条件 (設置場所、計測方法等) によって異なります。

Anti Rolling Gyro
型式：MSM-6500T-A1

②外観形状

図 2-4 に示すとおり、主にフレーム、ダンパ、カバーから構成されています。
内部には、揺動するジンバル、高速回転するフライホイールが設置されています。

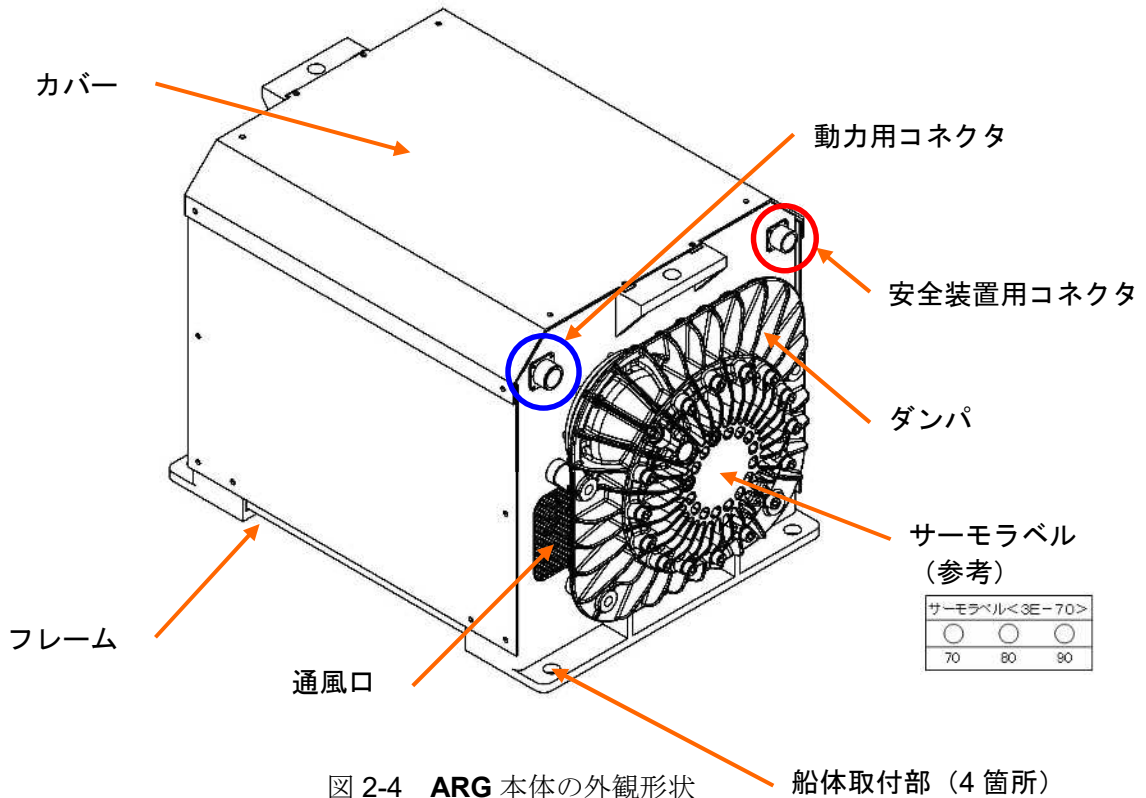
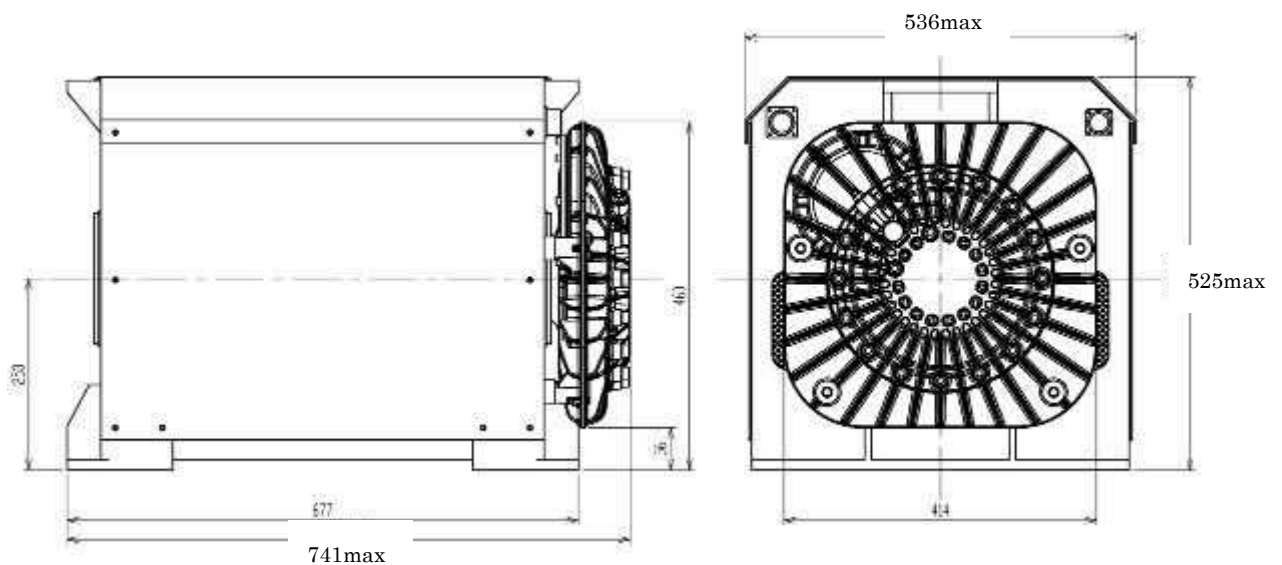


図 2-4 ARG 本体の外観形状

③寸法 ARG 本体の寸法は図 2-5 となっております。



単位：mm

図 2-5 ARG 本体の寸法

④銘板の内容

ARG 本体の銘板には、図 2-6 に示す記載内容となっておりますことをご確認下さい。



図 2-6 ARG 本体の銘板

2.3 モータドライバ

① 仕様

表 2-4 モータドライバ (1 台あたり)

項目	仕様
型式	MAA-25000B-A200
寸法	180 mm(高さ) × 400 mm(幅) × 350 mm(奥行)
質量	約 15 kg
制御方式	インバータコントロール式
使用温度範囲	-10 ~ 40°C
仕様湿度範囲	5 ~ 95% (結露しないこと。)
電源入力	交流 単相 210~240V 50/60Hz
付属機能 (外部接続端子)	<p>① リモートスイッチ (お客様用意) を接続することにより ARG 本体の遠隔操作 (起動/停止) ができます。 ARG はこのスイッチにより、運転/停止を行います。</p> <p>② ランプ (お客様用意) を接続することにより、ARG 本体の作動/非作動を確認できます。</p> <p>③ ランプ (お客様用意) を接続することにより、ARG 本体が回転数到達 (定常状態) しているかを確認できます。</p>
その他	ARG が正常に作動しているかモニタで確認することができます。

② 外観形状

図 2-7 にモータドライバの外観形状を示します。内部には、端子台、インバータ等が設置されています。

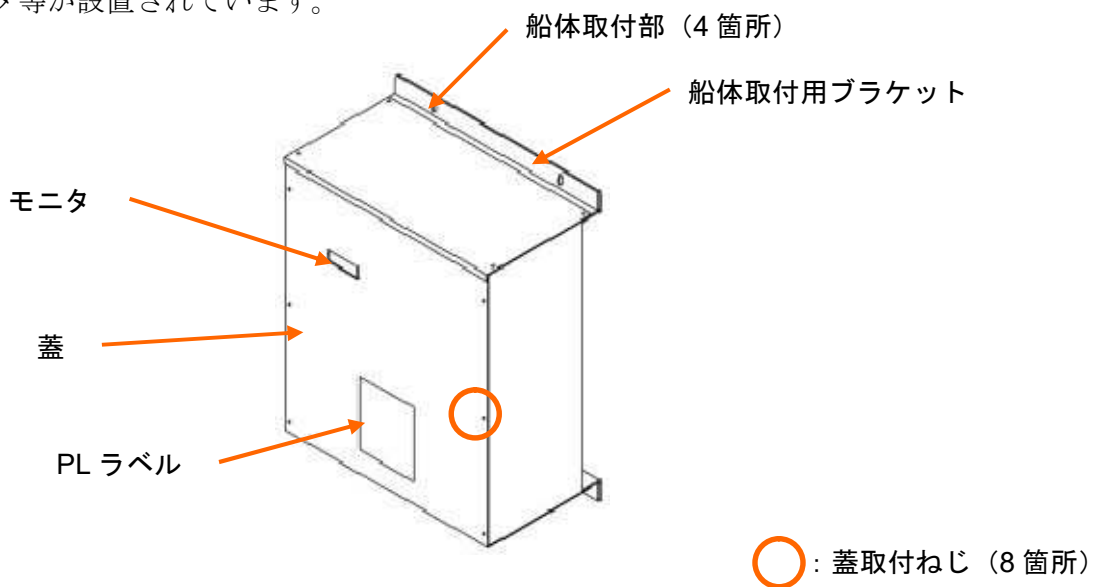


図 2-7 モータドライバ本体の外観形状

③寸法

モータドライバの寸法は図 2-8 となっております。

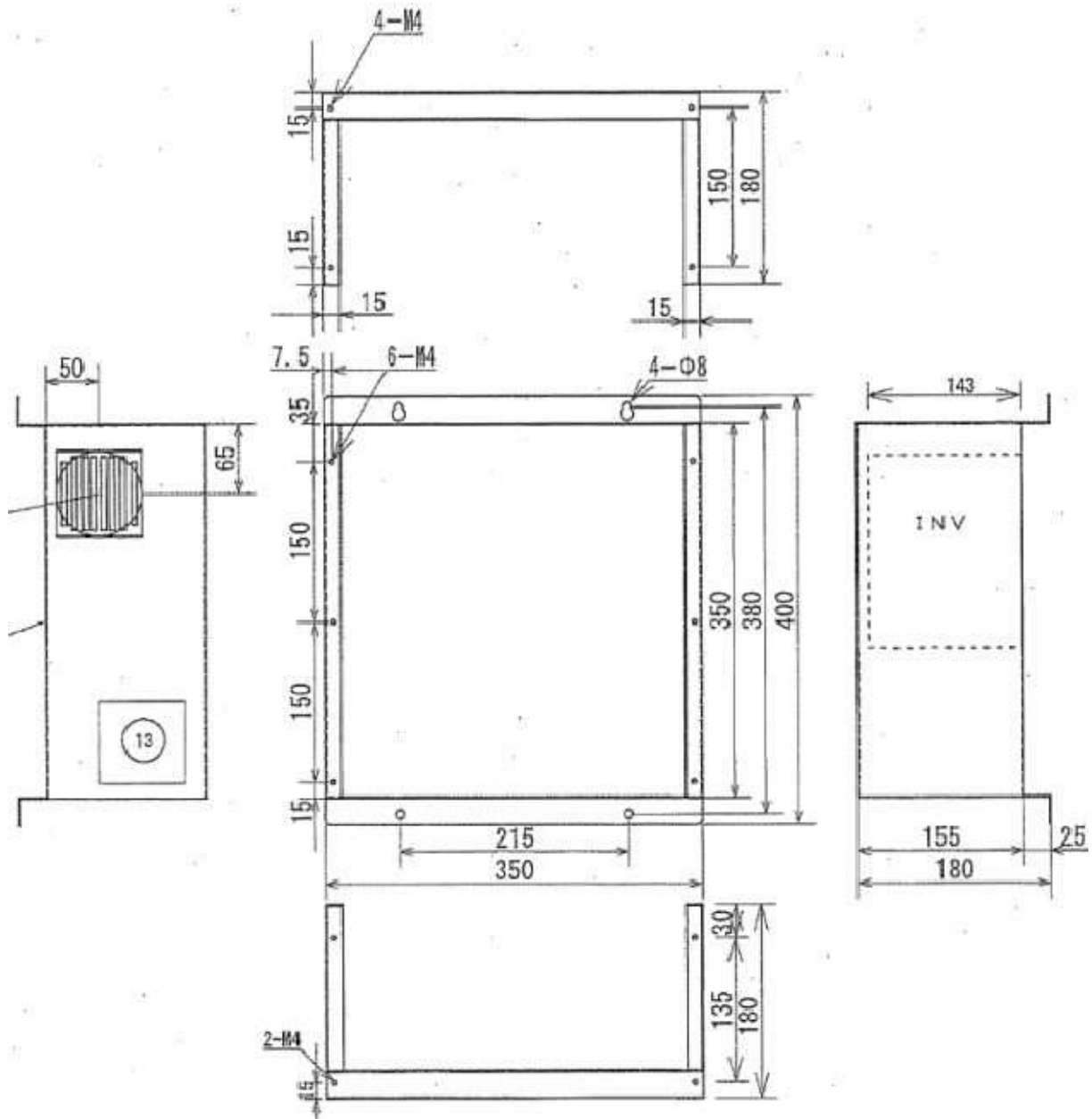


図 2-8 モータドライバの寸法

④銘板の内容

モータドライバの銘板には、図 2-9 に示す記載内容となっておりますことをご確認下さい。

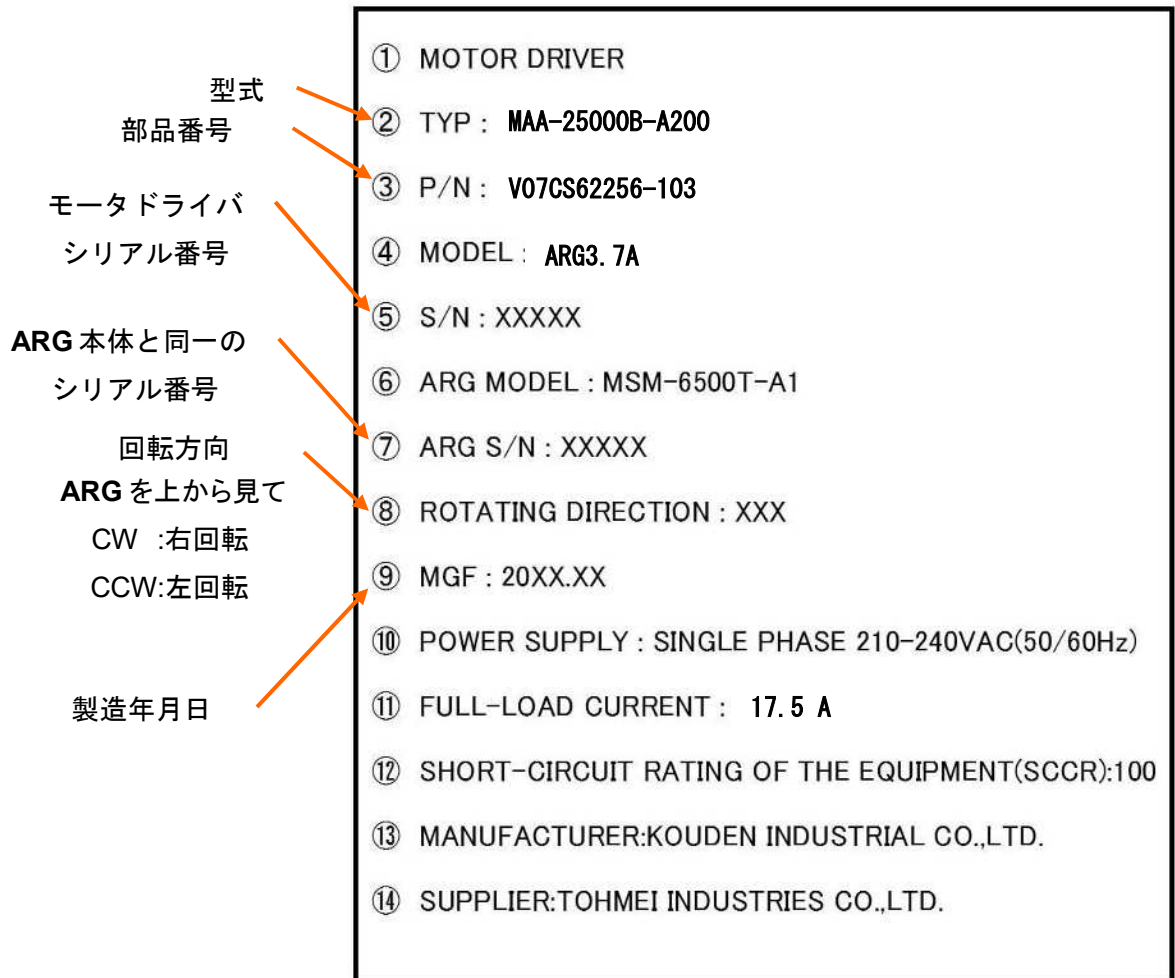


図 2-9 モータドライバの銘板

3 船体に取り付ける前に

3.1 ARG の発生荷重

ARG は、波浪等による船体の揺れを減揺させるため、図 3-1 のように、最大 9.8kNm/1 台（約 1,000kgf・m/1 台）の出力トルクを船体に対して発生します。

M :最大 9.8kNm
F :最大 7.7kN × 2

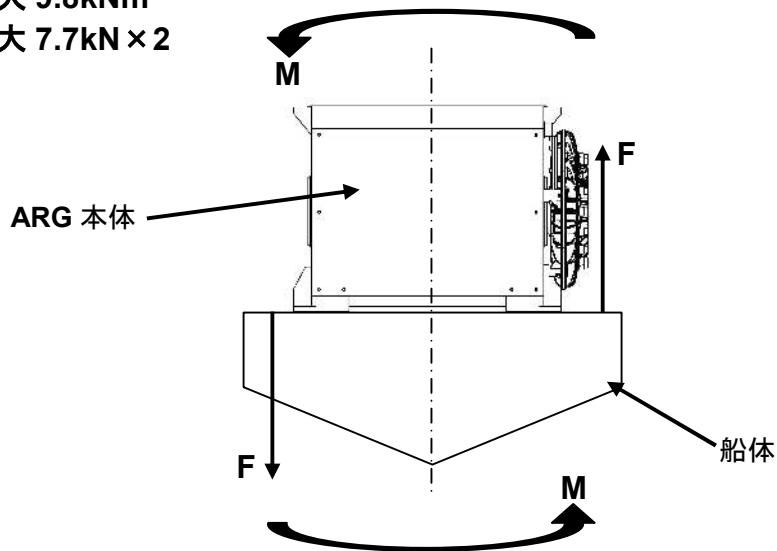
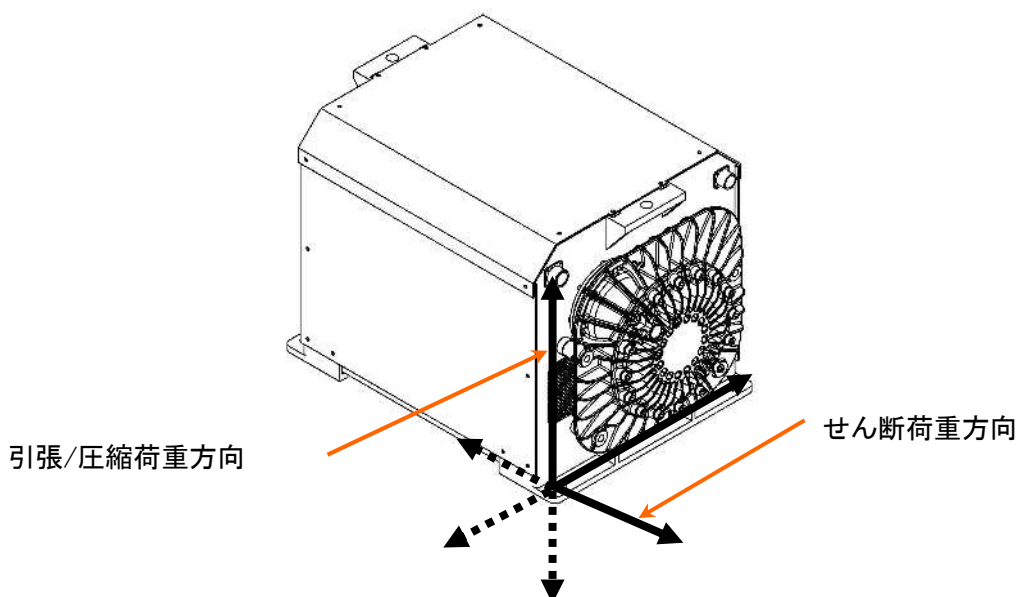


図 3-1 トルク／発生荷重図




上記トルクを ARG 本体の取付ボルト部で換算しますと、ボルト 1 本当たり下記の荷重となります。

- 1 本当たりの引張/圧縮荷重 …………… 7.7kN (786kgf)
- 1 本当たりのせん断荷重 …………… 2.7kN (280kgf)



3.2 設置場所の選定、及び補強

(1) ARG 本体の設置場所の選定、及び補強

 危険	
	ARG を分解したり、 ARG の構成部品を取り替えたり(不正改造)、他の用途に使用したりすると、破損、故障、けが、感電の原因となります。
	ARG 本体の取付位置は、船の重心、バランス等の船体性能や、補強方法を十分に考慮して選定して下さい。 船体性能の低下の原因となります。
	ARG に関する作業が閉鎖空間で行われる場合は、換気をして下さい。使用される材料によっては、中毒の原因となります。
	ARG 本体は以下の場所に設置して下さい。 <ul style="list-style-type: none">・ 波、雨、風、直射日光等の当たらない場所・ 有害なガス、粉塵、液体、オイルミスト等の無い場所・ 取付面が平らな場所・ ARG の発生荷重に十分に耐えられる強度、剛性を有し、船体の強度部材へ ARG の発生荷重が伝わる場所・ 振動の少ない場所・ 指定された周囲温度範囲内の場所・ 周囲に可燃物や熱による影響を受けるものが無い場所・ ARG 本体の周囲 200mm 以上の空間を確保できる場所 しかし、定期点検ができるならば、この空間(200mm 以上)は目安となります・ 乗船者が容易に触ることのできない場所 感電、 ARG 本体の故障、船体の破損、火災の原因となります。

- ① **ARG** 本体の設置場所は、前述の「**ARG** の発生荷重」に十分耐え得る強度を有する場所（例えば、船体の強度部材へ荷重が伝わるような場所）を選定して下さい。また、**ARG** は船体における設置場所の剛性でトルクを受け持つ設計となっております。このため、船体取付部は十分に剛性のある場所を選定して下さい。

②もし、船体が強度や剛性を有しない場合は、設置場所に十分な補強を実施して下さい。(参考例を図 3-2 に示します。)



FRP リブを追加し、鉄板で補強した例



FRP 船に対し、鉄架台を設置した例

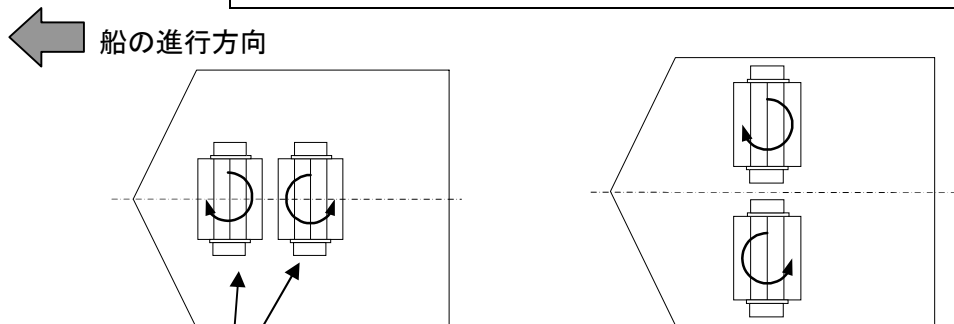
図 3-2 船体の補強

③ARG 本体の取付は、船の進行方向に対して 図 3-3 のように長手方向が直角になるように配置して下さい。

ARG 本体 および モータドライバのシリアル番号 (S/N)

奇数の場合：ARG 本体を上から見て左回転

偶数の場合：ARG 本体を上から見て右回転



内部にあるフライホイールの回転方向

例 1

例 2

図 3-3 ARG 本体の取付方向例

④ARG を複数台設置する場合は、図 3-3 のように隣接する ARG の回転方向がそれぞれ対向するように取り付けて下さい。

ARG および モータドライバの ARG シリアル番号 (S/N) の偶数 (本体を上から見て右回転) と奇数 (本体を上から見て左回転) で回転方向が異なります。より安定してご使用頂くために、ARG 本体 および モータドライバの銘板に記載されている ARG シリアル番号 (S/N) をご確認頂き、複数台使用時には、S/N の偶数と奇数をペアでご使用頂きますようご注意ください。

<例：複数台搭載の場合>

(例1) ARG を合計 4 台搭載する場合

シリアル番号 (S/N) が奇数：S/N 0001、S/N 0003 (2 台)

シリアル番号 (S/N) が偶数：S/N 0002、S/N 0004 (2 台)

(例2) ARG を合計 3 台搭載する場合

シリアル番号 (S/N) が奇数：S/N 0001、S/N 0003 (2 台)

シリアル番号 (S/N) が偶数：S/N 0002 (1 台)

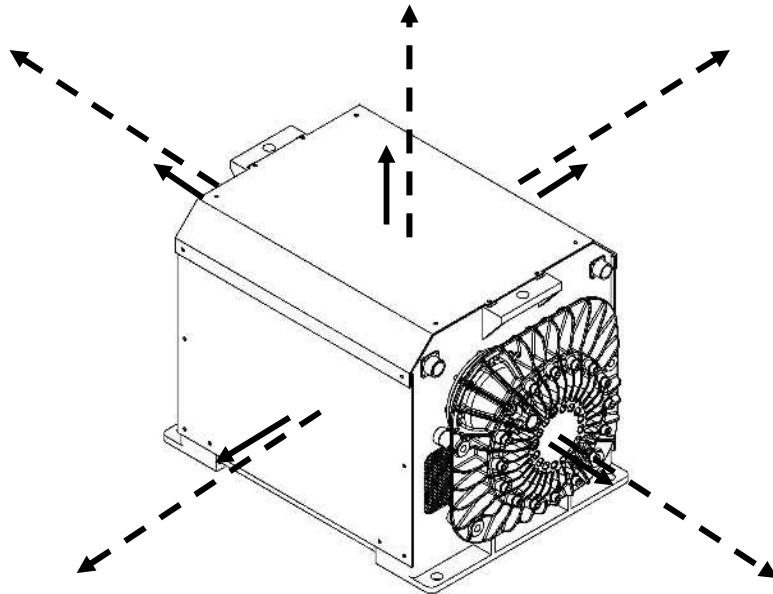
または

シリアル番号 (S/N) が奇数：S/N 0001 (1 台)

シリアル番号 (S/N) が偶数：S/N 0002、S/N 0004 (2 台)

(注) シリアル番号が例のように連番である必要はありません。

- ⑤ARG 本体の設置場所は定期点検を行うことが出来る様に、図 3-4 に示す取付スペースを考慮して選定して下さい。



- ▶ 周囲 200mm 以上の空間をあけて下さい。更に、設置場所は、ARG の発熱により高温となります。このため、ARG 設置場所の周囲温度が 40℃以下となる様に、換気扇等を用いて、強制冷却を行って下さい。
- - ▶ 上側方向に 830mm 以上、前、後、左、右のどちらかの 1 方向に 1000mm 以上の空間が必要です。(ARG 本体の取付取り外しが困難な場所の場合)

図 3-4 ARG 本体の取付スペース

(2) モータドライバの設置場所の選定

モータドライバの取付は図 3-5 の取付スペースにて設置して下さい。

モータドライバは、内部のファンにより強制冷却をしていますので、上下面には 100mm 以上、左右側面には 200mm 以上の空間を確保し、冷却効果を損なわないように取付けて下さい。

⚠ 危険



モータドライバは以下の場所に設置して下さい。

- ・ 波、雨、風、直射日光等の当たらない場所
- ・ 有害なガス、粉塵、液体、オイルミスト等の無い場所
- ・ 取付面が平らな場所
- ・ 振動の少ない場所
- ・ 指定された周囲温度範囲内の場所
- ・ 周囲に可燃物や熱による影響を受けるものが無い場所
- ・ モータドライバの周囲 200mm 以上の空間を確保できる場所
- ・ 乗船者が容易に触ることのできない場所

感電、故障、火災の原因となります。

モータドライバ、パワーインバータは、UL1500
"STANDARD FOR IGNITION-PROTECTION
TESTFOR MARINE PRODUCTS-EDITIONS3"に従い、
Ignition Protection(点火保護)の試験評価を実施しておりますが、リレーを使用していますので、ガソリン等の爆発性
雰囲気のないところに取付をして下さい。

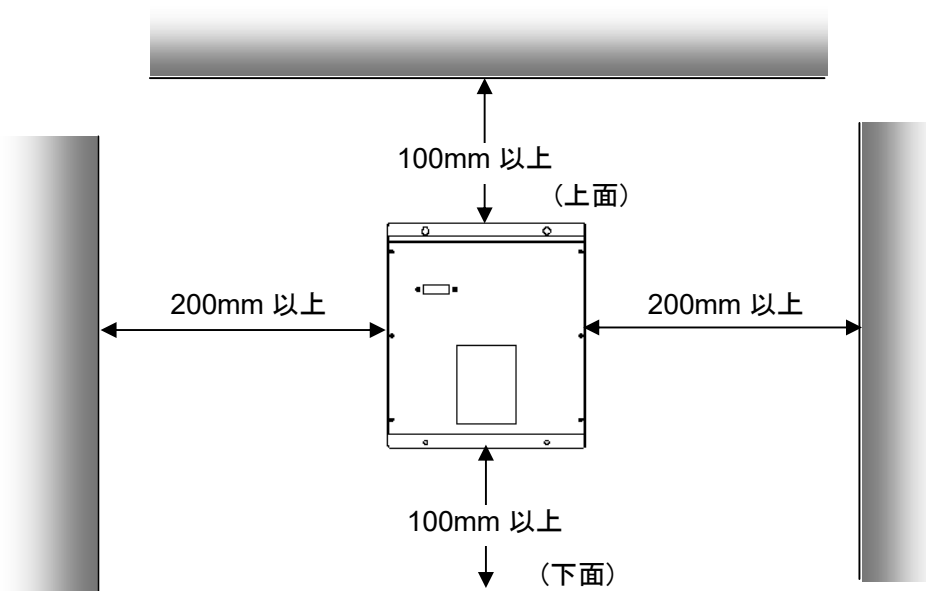


図 3-5 モータドライバの取付スペース

4 船体への取付

4.1 ARG 本体の取付

(1) 船体への取付穴加工

図 4-1 に示す ARG 本体フレーム部の取付穴寸法に合わせ、船体に穴加工を実施して下さい。

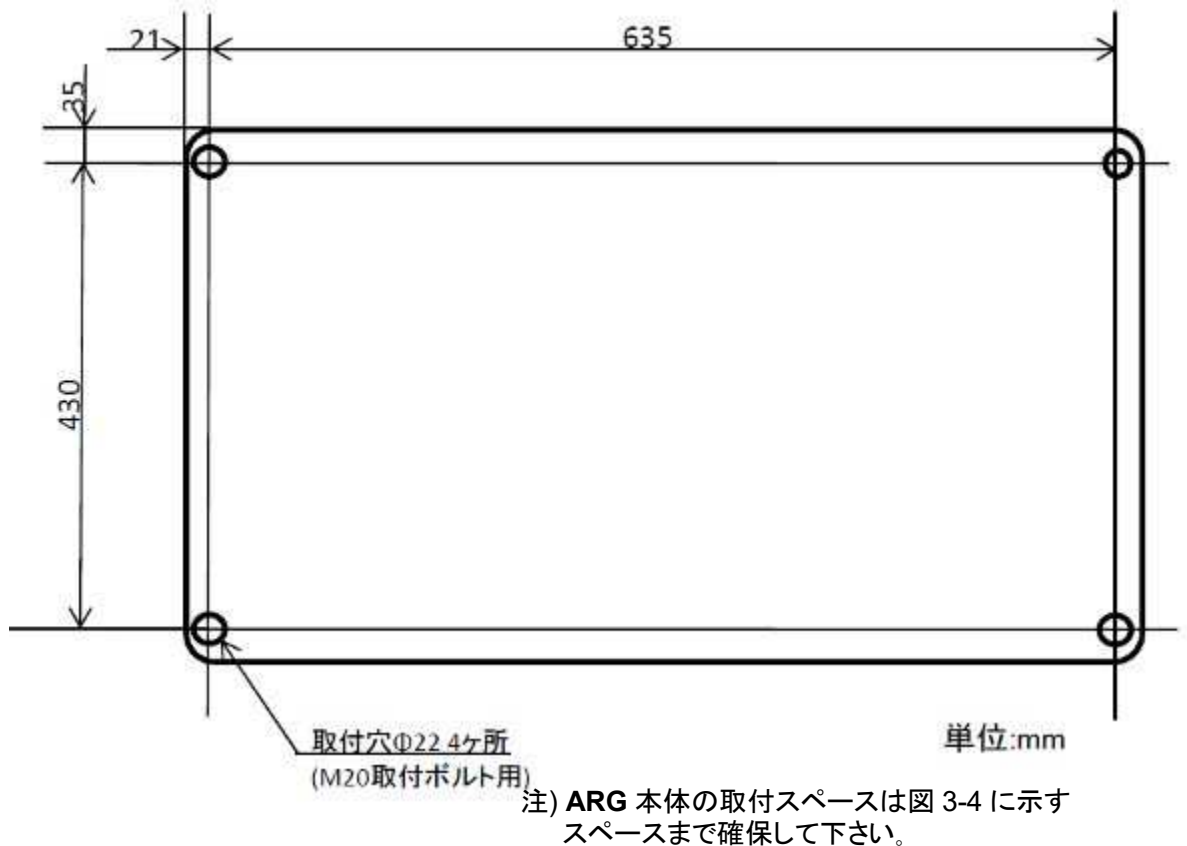


図 4-1 ARG 本体の取付穴寸法

(2) 船体への設置、及び固定

- ① ARG 本体の設置は、ARG 本体に付属のアイボルトを用いて吊上げを行い、取付場所の上に設置して下さい。ARG は図 4-2 のように吊上げて下さい。
- ② ARG 本体の固定は、図 4-2 のように付属品の平座金・ばね座金・ナットを ARG 本体のフレーム上にあてがい、角型平座金を通した取付ボルトを船体の下から通し、ARG 本体を船板にしっかり固定して下さい。
- ③ FRP 船の場合の補強部材は、FRP にてオーバーレイすることを推奨いたします。
- ④ ナットは、緩み止めのため、付属品の U ナット(ロックナット)を使用して下さい。
- ⑤ 付属品の取付ボルトの長さは、80mm あります。
- ⑥ 角ボルト(4箇所)の締付けは、 $130\text{N}\cdot\text{m}$ (約 $13\text{kgf}\cdot\text{m}$)で対角線上に対向する順番に徐々に締付けを実施して下さい。(図 4-3)締付けにより、
- ⑦ ステンレスボルトが焼き付く恐れがありますので、市販の焼き付き防止剤等を塗布後、U ナットを締め付けることを推奨します。

Anti Rolling Gyro
 型式：MSM-6500T-A1

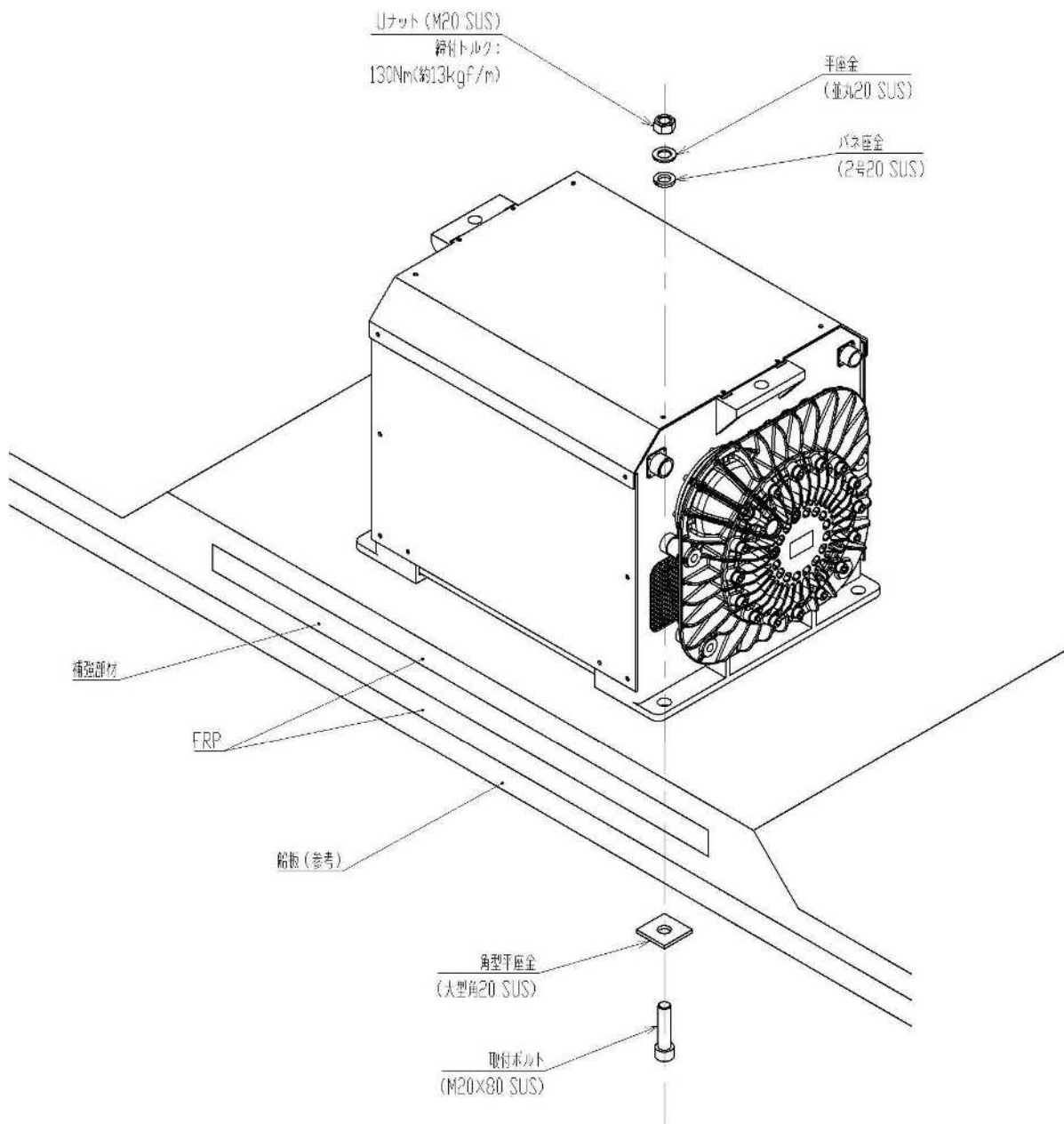


図 4-2 ARG 本体の取付



図 4-3 ボルトの締付け順序 (例)

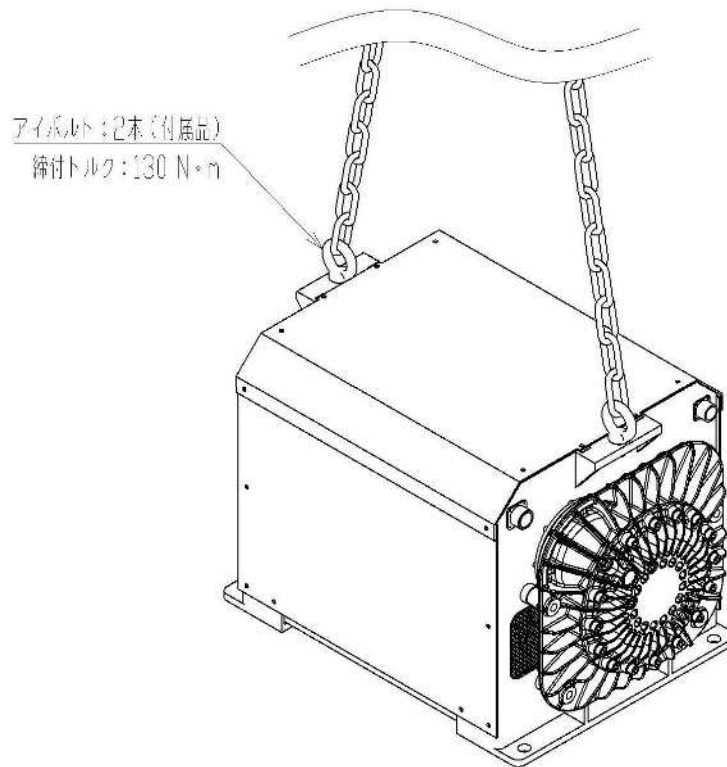


図 4-4 ARG 本体の吊り方

⚠ 危険



ARG 本体は重量物（約 234kg）です。重量に応じたクレーン等を使用して下さい。

けが、もしくは **ARG** 本体、船体の破損の原因となります。

ARG 本体を吊り上げる時は、必ず専用の吊上げ用アイボルトを使用して下さい。






けが、もしくは **ARG** 本体、船体の破損の原因となります。

ARG 本体の運搬時には、以下のことを確認して下さい。

- ・ 吊上用アイボルトが規定の締付けトルクで締め付けられていること。
- ・ アイボルトが図 4-4 に示す取付方向になっていること。

けが、もしくは **ARG** 本体、船体の破損の原因となります。

 **注意**

	<p>ARG 本体カバーは、強度部材ではありませんので、ARG 本体カバーの上に物を載せたり、人が乗ったり、腰掛けたりしますとカバーの破損原因となります。また、作動中は、カバー内部の部品が高速で回転しており、カバーが破損しますと、けが、故障の原因となります。</p>
	<p>ARG 本体、モータドライバを移動するときは、周囲の物や人に当たらないよう注意して下さい。また、強い衝撃を与えないで下さい。</p> <p>けが、もしくは ARG、船体の破損の原因となります。</p> <hr/> <p>ARG カバーを取扱う際には、角部に注意して下さい。</p> <p>けがの原因となります。</p>
	<p>ARG 本体の移動終了後、吊上用アイボルトは取り外して下さい。けがの原因となります。</p> <p>また、メンテナンス時に使用するため、大切に保管して下さい。</p>
	<p>ARG 本体の設置は、付属の船体取付用部品を使用して下さい。</p> <p>ARG 本体、船体の破損の原因となります。</p> <hr/> <p>ARG 本体の取付ボルト/ナットの締付けは、必ず規定トルクで締付けて下さい。</p> <p>取付ボルト/ナットの緩みによって ARG 本体、船体の破損の原因となります。</p> <hr/> <p>ARG 本体の取付から1~2日後に、規定トルクで増し締めを実施して下さい。</p> <p>取付ボルト/ナットの緩みによって ARG 本体、船体の破損の原因となります。</p>
	<p>アルミ船に ARG 本体を取り付ける場合、異種金属接触部の電食を考慮し(取付面の絶縁処理または流電陽極法等を実施し)取り付けて下さい。取付例を図 4-5 に示します。</p> <p>船体の破損の原因となります。</p>

Anti Rolling Gyro
型式：MSM-6500T-A1








注) 写真は MSM-4000B1-A です。

図 4-5 ARG 本体の取付面における電食防止処理の例

4.2 モータドライバの取付

(1) モータドライバの取付方向

 危険	
	モータドライバの重量は約 13kg です。取付け、取外しの際には落下させないで下さい。 けが、故障の原因となります。
	モータドライバの取付方向を必ず守って下さい。取付方向を間違えて設置すると、水分等が入り、感電、火災の原因となります。(図 4-6 参照)
	モータドライバは、金属等の不燃物に取り付けて下さい。 火災の原因となります。
	モータドライバと ARG 本体との接続は、組み合わせが決まっています。銘板に記載されているシリアル番号 (ARG S/N)を確認し、同一の組み合わせとなるように接続して下さい。(図 4-7 参照) けが、故障の原因となります。
 注意	
	モータドライバは、必ず当社指定のものをご使用下さい。万一、別機種が使われますと装置の故障の原因となります。

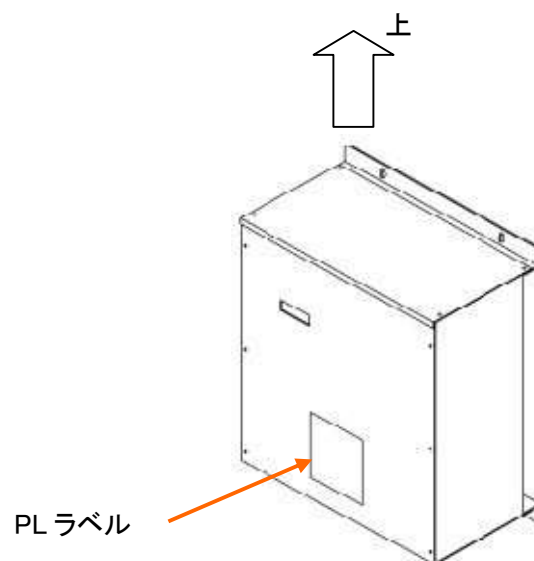


図 4-6 モータドライバの取付方向

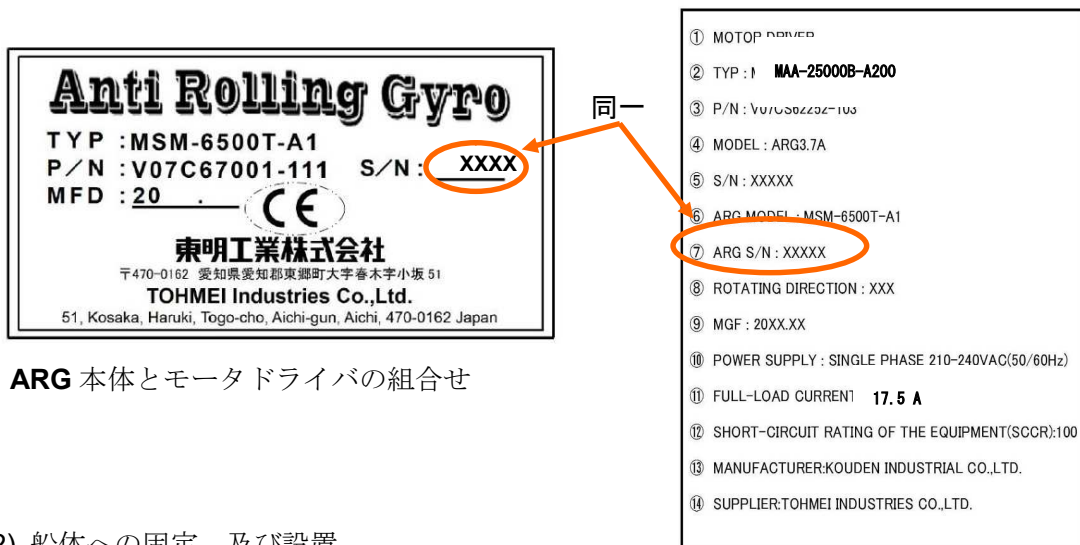


図 4-7 ARG 本体とモータドライバの組合せ

(2) 船体への固定、及び設置

以下に示す手順通りにモータドライバを船体に取り付けて下さい。

なお、取付寸法については、P.23 図 2-8 を参照して下さい。

- ① 上側の取付穴に平座金、ばね座金、ねじを取付けて下さい。このとき完全にねじを締め込まず、ねじの首下をブランケットの厚さが入るだけ開けて下さい。(図 4-8 を参照して下さい。)
- ② モータドライバの取付け穴にねじ頭を通して引っ掛けるようにして、モータドライバを取付けて下さい。(図 4-9 を参照して下さい。)
- ③ 下側に平座金、ばね座金、ねじを取付けて下さい。(図 4-10 を参照して下さい。)
- ④ 上下のねじを締付けて下さい。

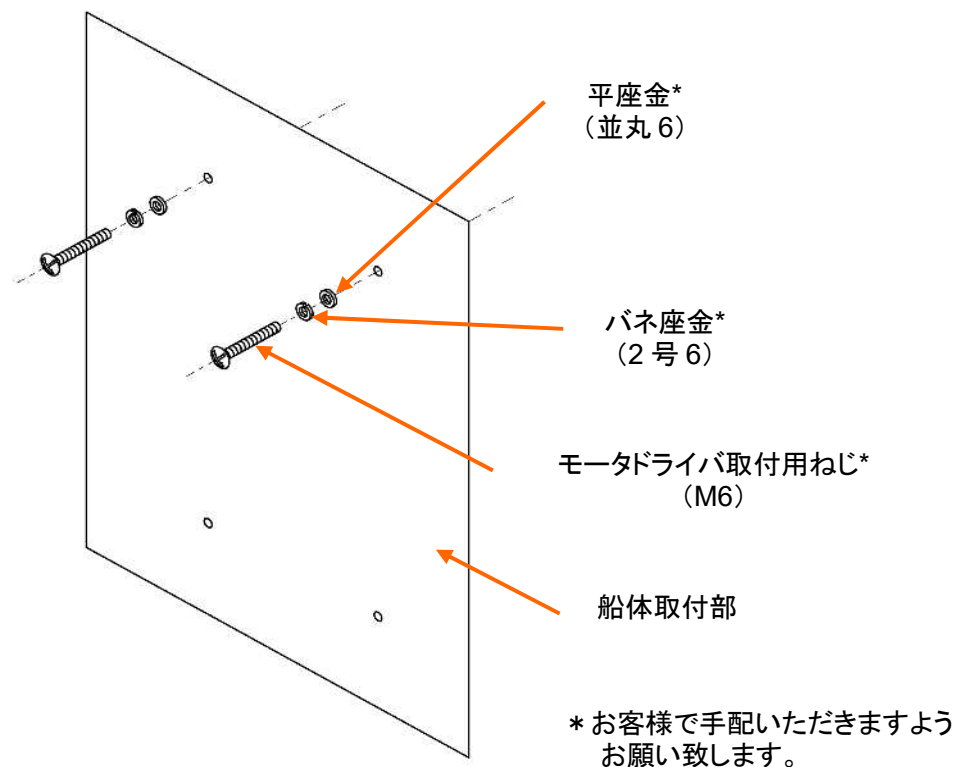


図 4-8 モータドライバ取付手順 1

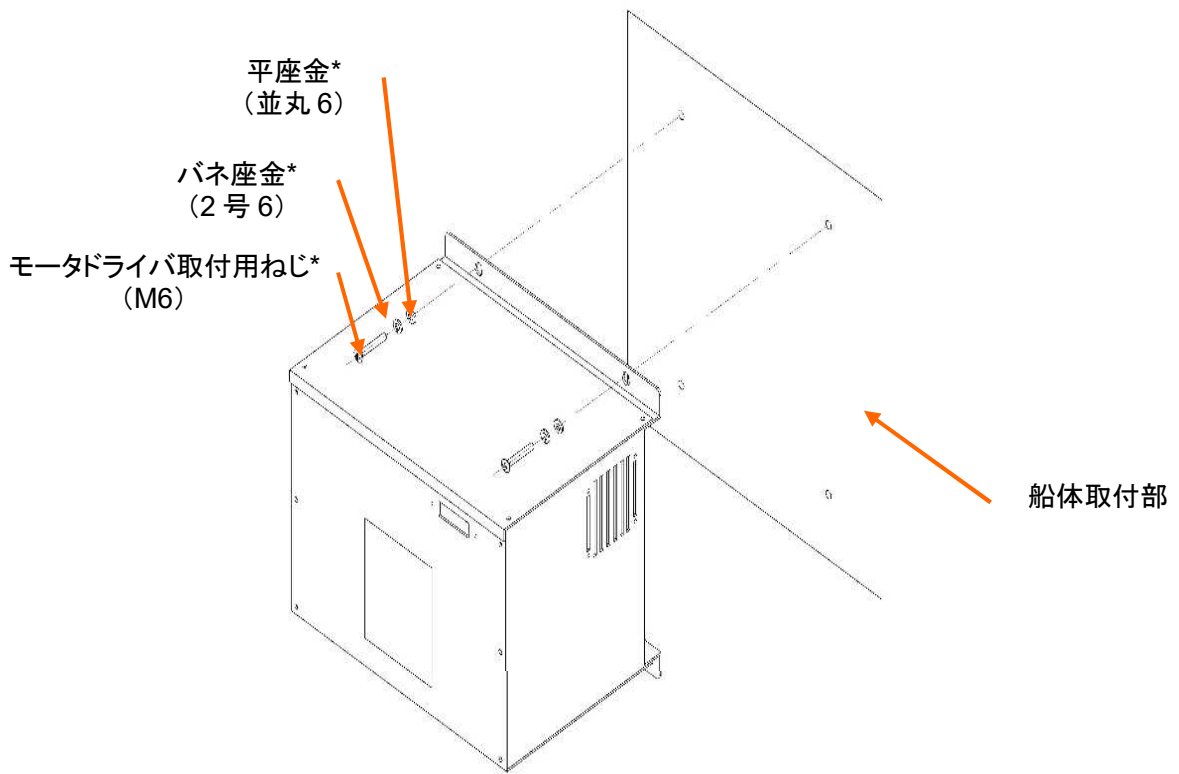


図 4-9 モータドライバ取付手順 2

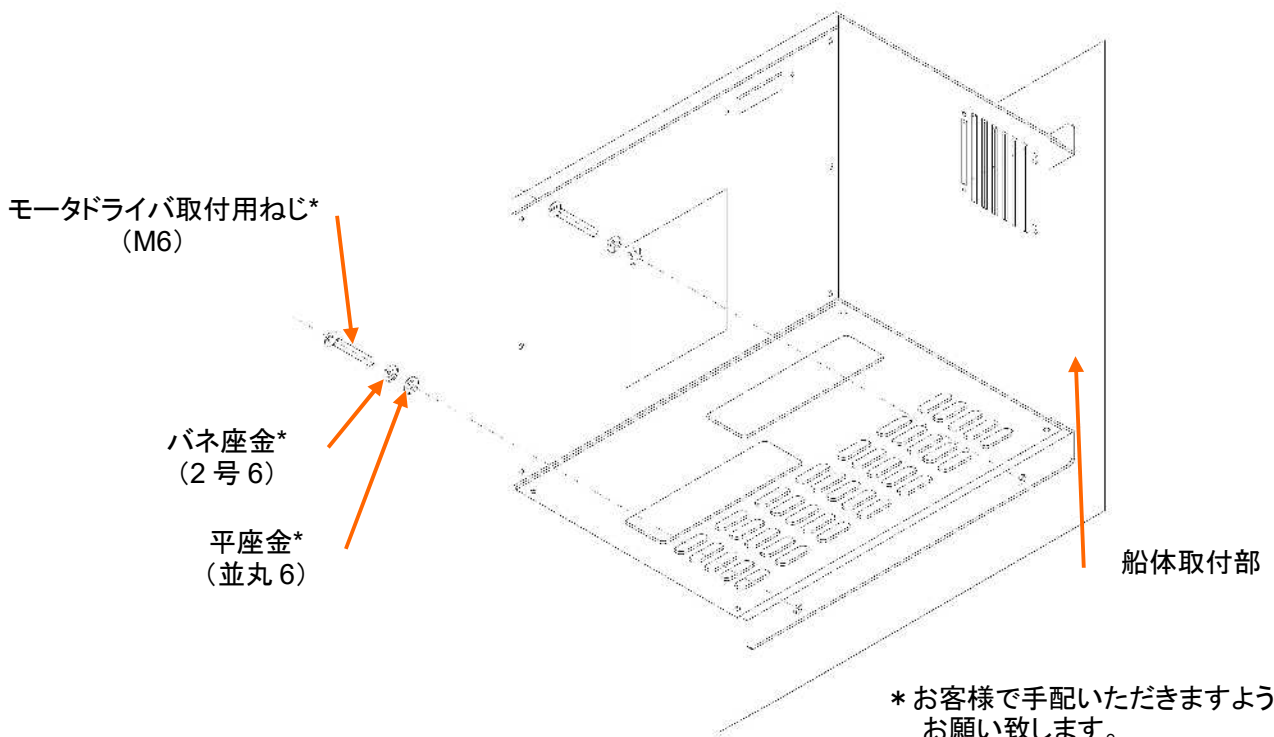


図 4-10 モータドライバ取付手順 3

4.3 配線

(1) 配線作業を実施する前に

- ① モータドライバは単相 210～240VAC の電源入力が可能です。

危険



電気配線の接続作業時は、必ず電源を切って実施して下さい。

感電の原因となります。

濡れた手で電気スイッチを操作したり、配線作業を行わないで下さい。

感電の原因となります。



作業前に金属物(指輪、時計等)は外して下さい。

感電の原因となります。

絶縁対策工具を使用して下さい。

感電の原因となります。

電気配線作業は、電気工事の有資格者が行って下さい。

感電、故障、火災の原因となります。

注意



船体の電源電圧とモータドライバの入力電圧が合致していることを確認して下さい。

故障の原因となります。

- ② モータドライバには表 4-1 に示す機能（外部接続端子）が備え付けられています。使用される時に接続するリモートスイッチやランプは表 2-2 に示す仕様に合致したものを選定して下さい。なお、リモートスイッチは必ずご使用下さい。ランプの使用の有無はお客様にてご判断して下さい。

表 4-1 モータドライバ機能一覧

名 称	機 能
リモートスイッチ (必ず使用して下さい。)	リモートスイッチ（レバーを相反する 2 方向に手で動かすことによって、接点の開閉を保持できる無電圧接点スイッチ）をお客様にてご用意頂き接続することにより、 ARG 本体の遠隔操作（主電源投入状態での起動/停止）ができます。
作動確認用ランプ	ランプ（LED 式表示灯など、定格+24VDC、定格 50mA 以下）をお客様にてご用意頂き接続することにより、 ARG 本体の作動/非作動を確認することができます。 作動時 : ランプ点灯 非作動時 : ランプ消灯
定常回転到達ランプ	ランプ（LED 式表示灯など、定格+24VDC、定格 50mA 以下）をお客様にてご用意頂き接続することにより、 ARG 本体が定常運転（回転数到達）の状態にあるかどうかを確認することができます。 尚、 ARG 本体が定常運転状態となるには、始動後約 30 分要します。 定常運転時 : ランプ点灯 上記以外の時 : ランプ消灯

(2) 電気配線（系統図）

- ① 図 4-11 に全体電気系統図を示します。
- ② 図 4-12 に全体電気回路図を示します。
- ③ 上記②の回路図において、作動確認用ランプまたは定常回転到達ランプを使用しない場合は、同回路図に示す通り、作動確認用ランプ（“+24”-“Y1”）または定常回転到達ランプ（“+24”-“Y2”）接続用端子間は開放して下さい。

 危険



モータドライバの入力端子(R/L1、S/L2 端子)、及び、出力端子(U/T1、V/T2、W/T3 端子)は、端子間で接続(短絡)しないで下さい。

故障、火災の原因となります。



電気配線の接続作業にあたり、用途にあった適切な工具を使用して下さい。

感電、火災の原因となります。

配線作業は、確実に実施して下さい。

感電、火災の原因となります。

配線の接続部は、必ず絶縁して下さい。

感電、火災の原因となります。

電源とモータドライバの間には、必ずブレーカを設置して下さい。

感電、火災の原因となります。

ケーブルは、本書に記載の仕様(表 2-2)のものを使用して下さい。また、使用ケーブルは、JIS C 3410(船用電線準拠品)に合致し、できる限り短く、太い線材を使用して下さい。

火災の原因となります。

各機器の接続端子形状、サイズ、電力にあった圧着端子を使用して下さい。

感電、火災の原因となります。

危険



モータドライバのアース端子から船体のアースポイントに接地して下さい。また、**ARG** 本体のアースは、カバー取付部でアース線をボルト接続し、船体のアースポイントに接地して下さい。

感電の原因となります。

注意



モータドライバ内で既に接続されている配線は、絶対に取り外さないで下さい。

故障の原因となります。

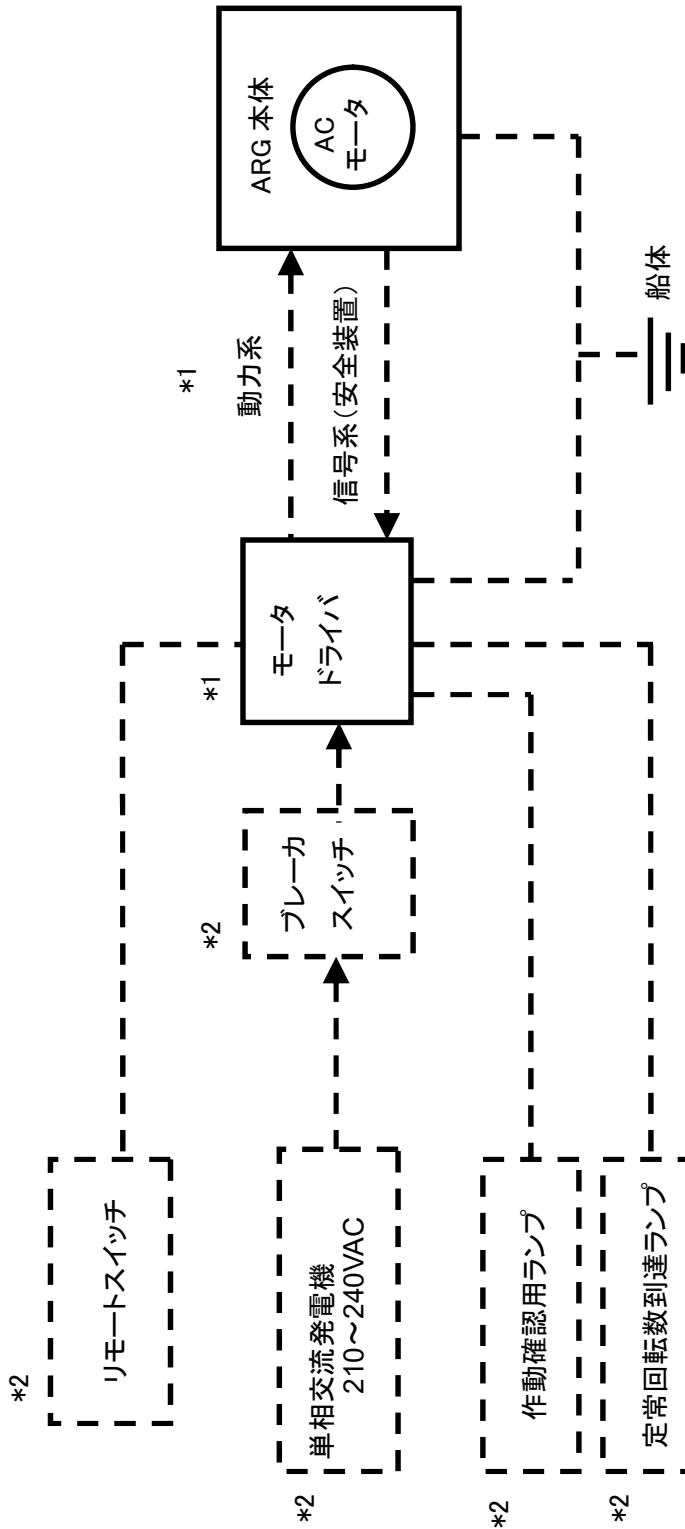
本書の配線図に記載されていないモータドライバ端子は使用しないで下さい。

故障の原因となります。

モータドライバ内にある”タッチパネル”(P.47 参照)のキー操作は、教育を受けたサービスマン以外の方は行わないで下さい。誤って、キー操作を行ってしまうと、誤作動や故障の原因となります。

ARG とモータドライバ間のパワーケーブルは、他の配線と一緒に固縛しないでください。また配線は短く、ループを作らないでください。モータドライバの筐体に、他機器のグラウンドを配線しないでください。

電磁ノイズ発生の原因となります。



(注 1) *1 のものを東明工業からの納入品とします。

*2 の鎖線の機器及び配線はお客様にて準備、配線して下さい。

(注 2) **ARG** の主電源の ON/OFF はブレーカスイッチで実施して下さい。

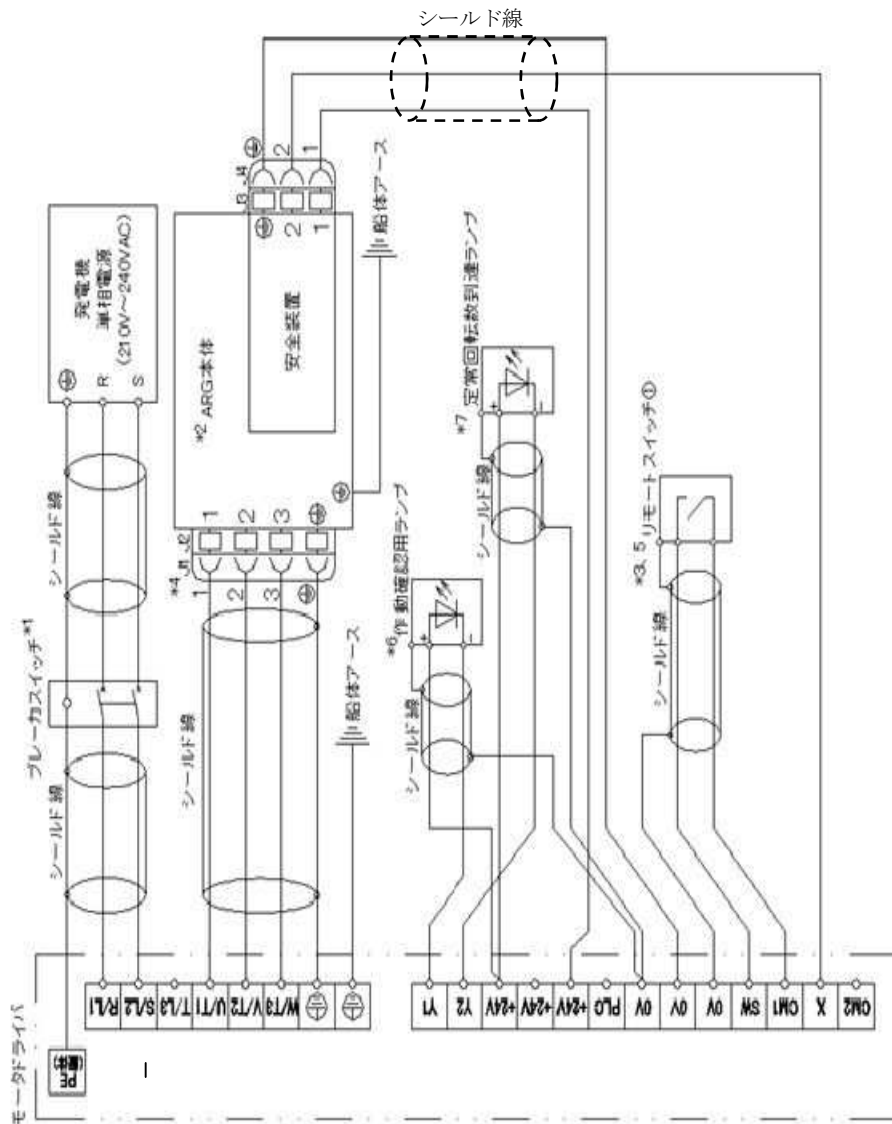
(注 3) モータドライバのアースポイント、**ARG** 本体のアースポイントは船体のアースポイントへ接続し、接地して下さい。

(注 4) **ARG** の起動/停止はリモートスイッチにて行います。

(注 5) ブレーカスイッチ、リモートスイッチは必ずご使用下さい。

図 4-11 全体電気系統図

单相 210~240VAC
電源を使用される場
合の配線図



- (注1) *1 のものを東明工業からの納入品とします。
- (注2) *2 の機器及び配線はお客様にて準備、配線して下さい。
- (注3) ARG の主電源の ON/OFF はブレーカスイッチで実施して下さい。
- (注4) モータドライバ/ARG 本体のアースポイントと船体のアースポイントを接続し、接地して下さい。
- (注5) ARG の起動/停止はリモートスイッチにて行います。
- (注6) リモートスイッチは必ずご使用下さい。
- (注7) 作動確認ランプ未使用時は、"+24" – "Y1"間を開放して下さい。
- (注8) 定常回転到達ランプ未使用時は、"+24" – "Y2"間を開放して下さい。

図 4-12 单相電源を使用する場合の全体電気回路図

(3) モータドライバの接続端子サイズ

表 4-2 にモータドライバの接続端子サイズを示します。尚、圧着端子は付属品となっております。

接続端子の位置は、図 4-13 を参照して下さい。

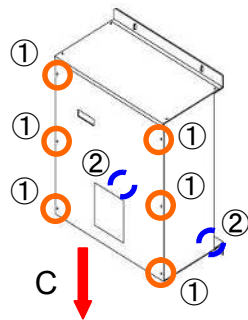
表 4-2 モータドライバの接続端子及びボルトサイズ

端子名	端子ねじサイズ	圧着端子サイズ (付属品)	説明
R/L1、S/L2	M4	V5.5-4	電源からの入力端子
U/T1、V/T2、W/T3	M4	V5.5-4	ARG 本体への出力端子
X、+24V、0V	M4	V1.25-4	安全装置用端子
Y1、Y2、CM1、SW、+24V	M4	V1.25-4	付属機能 (外部接続) 用端子
Ⓧ (アース)	M4	V5.5-4	船体アース接続用端子

(4) モータドライバの配線方法

① ケーブルとモータドライバの配線は、モータドライバの蓋を取り外して実施して下さい。

モータドライバの蓋は、ねじ 8 本を外すことにより、取り外すことが出来ます。なお、モータドライバ内の接続は内部に設置された端子台で実施して下さい。



蓋の開け方

- A. ①の取付ねじを外します。(計 6 箇所)
- B. ②の取付ねじを外します。(計 2 箇所)
- C. 蓋を下に引きます。
(閉める場合は逆の手順)

② 下表のケーブル接続はモータドライバの内部に設置された端子台で実施して下さい。

接続するケーブル	ドライバ側端子名
ARG 本体とモータドライバ間のケーブル (動力用)	U/T1、V/T2、W/T3
ブレーカスイッチとモータドライバ間のケーブル	R/L1、S/L2
リモートスイッチとモータドライバ間のケーブル	CM1、SW
ARG 本体とモータドライバ間のケーブル (安全装置用)	X、+24V、0V
作動確認用ランプとモータドライバ間のケーブル	+24V、Y1
定常回転到達ランプとモータドライバ間のケーブル	+24V、Y2
船体アースとモータドライバ間のケーブル	Ⓧ (アース)

③ 蓋を取り外すと図 4-13 のように、保護カバー付き端子台が配置されています。

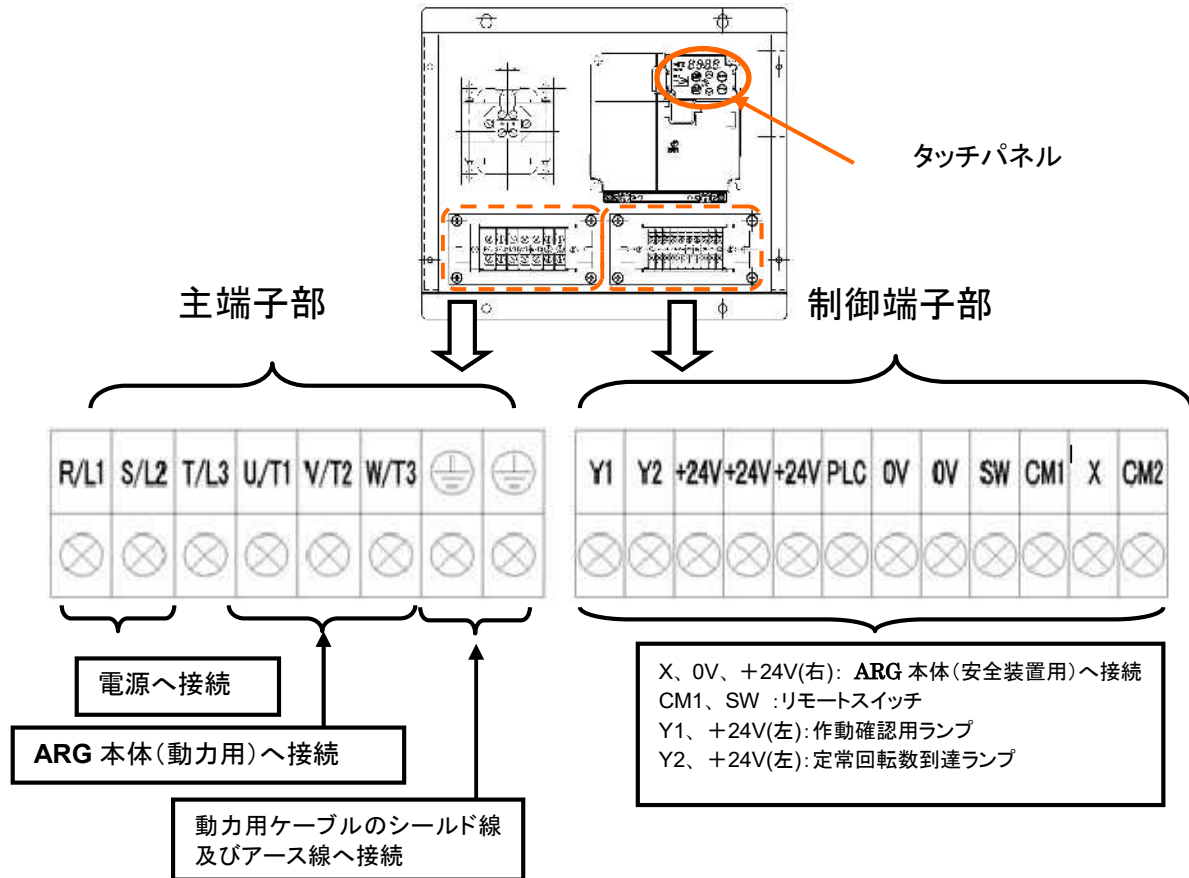


図 4-13 モータードライバの端子配列

⚠ 危険



モータードライバ電源 OFF 後、しばらくの間はモータードライバ内に電圧がチャージされております。モータードライバ電源 OFF 後に配線作業を行う場合は、モータードライバ電源を遮断して 5 分経過し、タッチパネルが消灯したことを確認し、配線作業を実施して下さい。

感電の原因となります。



モータードライバの端子が引っ張られないように、モータードライバから出たケーブルをクランプ等で船体に固定して下さい。

感電の原因となります。

配線・点検完了後、モータードライバの蓋は、確実にかぶせてねじ止めして下さい。

感電、故障、火災の原因となります。

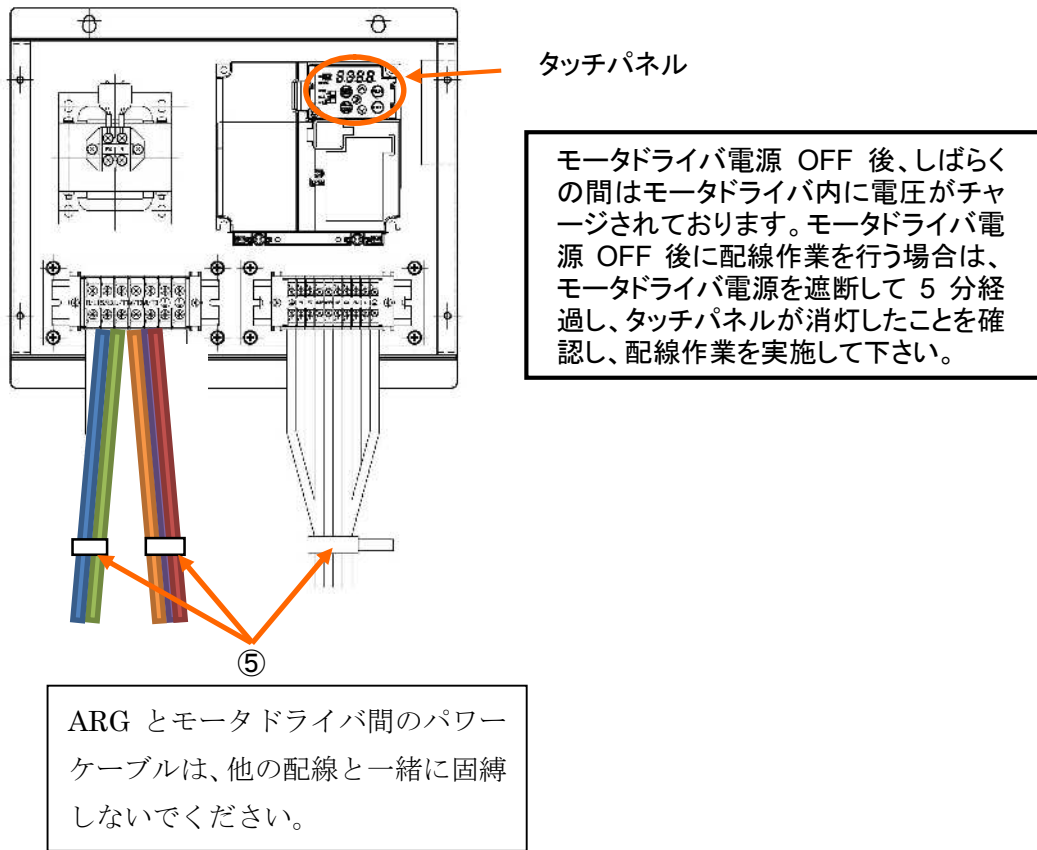


図 4-14 モータドライバ電源 OFF 後のチャージ電圧の残量確認方法

- ④ 配線完了後は、端子台に保護カバーを付け、タイラップで電線を結束し、蓋を取り付け、取付ねじ 8 本を確実に締め付けて下さい。底部のケーブル通し穴にケーブルを通して下さい。
- ⑤ モータドライバの端子が引っ張られないように、モータドライバから出たケーブルをクランプ等で船体に固定して下さい。

(6) ARG の配線方法

図 4-12 に示す回路図に従い正しく配線作業を実施して下さい。

① コネクタの組立（動力用、安全装置用）

ARG 本体～モータドライバ間に配線するケーブルにおいて、**ARG** 本体側への接続には付属のコネクタ部品（かしめタイプ）を使用し、以下に示す順序にて組立てて下さい。順序を間違えると、コネクタが製作できなくなります。

 危険



濡れた手で電気スイッチを操作したり、配線作業を行わないで下さい。

感電の原因となります。



ソケットコンタクトとケーブルは、はんだ付けを実施しないで下さい。

感電、火災の原因となります。



必ず P.110～115 に示す順序で、適切な工具を使用し、コネクタを組立てて下さい。また、誤った組立で使用すると感電、故障、火災の原因となります。

ソケットコンタクトのかしめ側に空いている小さな穴からケーブルの心線が確認できる状態のかしめて下さい。

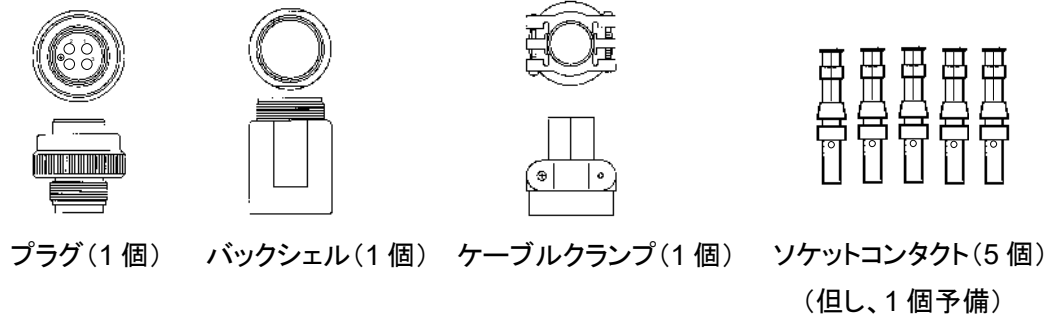
感電、火災の原因となります。

ARG 動力用コネクタと、**ARG** 安全装置用コネクタを間違えて使用しないで下さい。

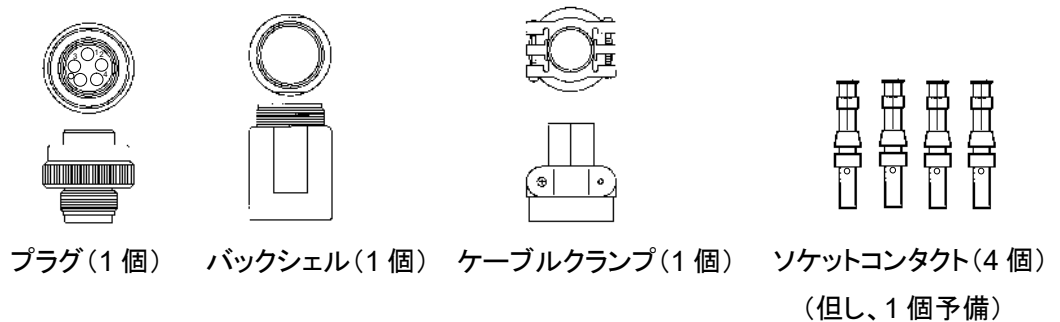
感電、火災の原因となります。

- a) 付属品として、以下に示すものが同梱されていることを確認して下さい。
動力用コネクタと安全装置用コネクタのサイズが異なります。

i) 動力用



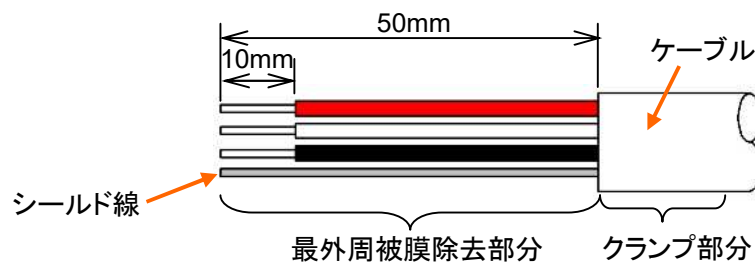
ii) 安全装置用



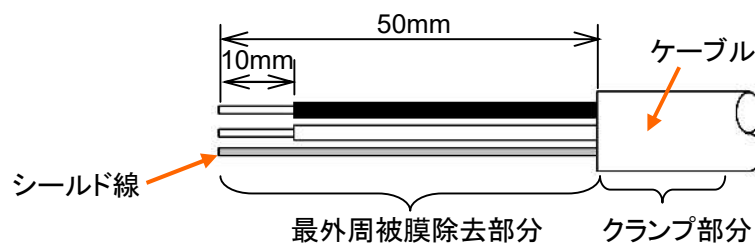
- b) お客様が用意されたケーブルを上図のケーブルクランプに通すことができるか確認して下さい。通すことが出来ない場合、ケーブルの最外周被膜を除去し、絶縁テープ等で1本に纏め、ケーブルクランプに通せるよう細くして下さい。

- c) ケーブルの加工は以下に示す寸法を目安にして実施して下さい。シールド線はひとまとめにして下さい。

i) 動力用

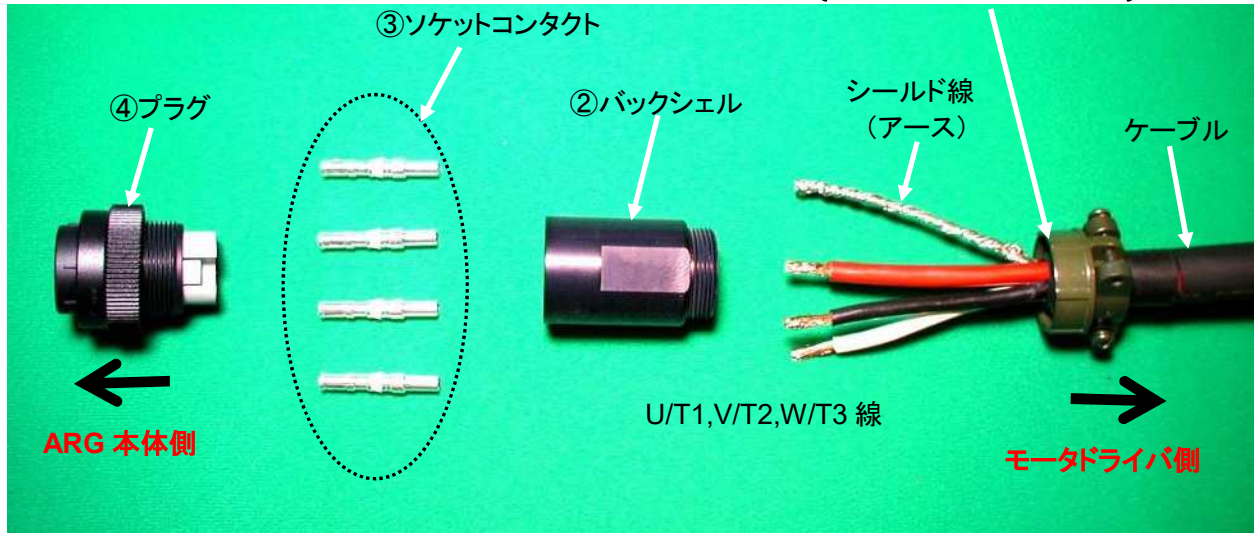


ii) 安全装置用



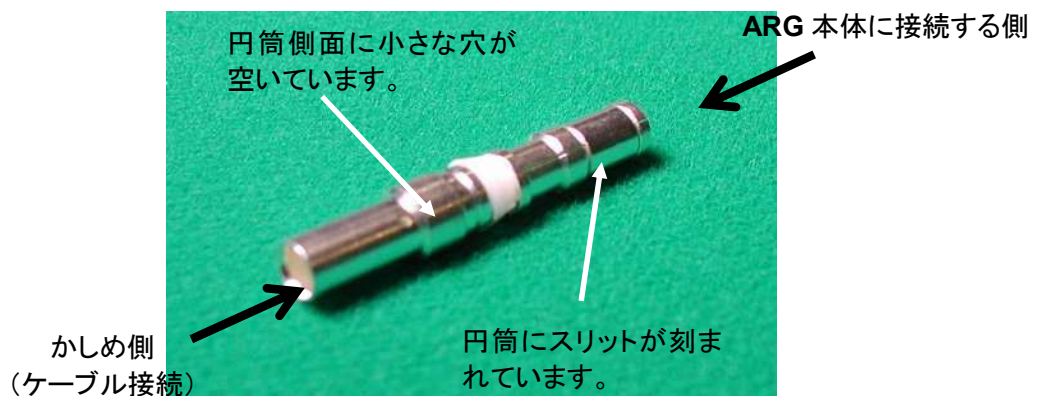
d) コネクタ各部品は下図の①→④の番号順の通りとなります。

①ケーブルクランプ
〔ボルト開放の状態
でケーブルを通して
おくこと。〕

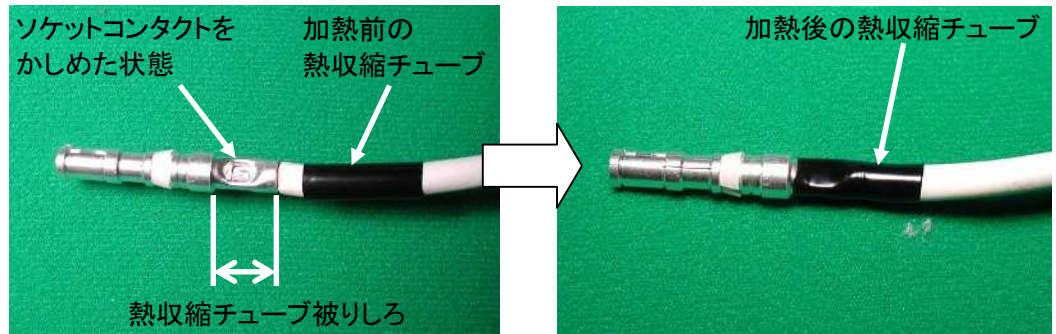


(注) 本図は、動力用コネクタを例に示しています。

- e) ケーブルにケーブルクランプ(①)、バックシェル(②)を通して下さい。
- f) ソケットコンタクト(③)のかしめ側がどちらであるかを確認して下さい。
下図に示すように、円筒側面に小さな穴が空いている方がケーブルと接続 (かしめ) する側となり、円筒にスリットが設けられている方が **ARG** 本体のコネクタ (オス) に接続する側となります。
- g) 熱収縮チューブをケーブルに通して下さい。
- h) 被覆を除去したケーブルをソケットコンタクト(③)の奥底まで差し込んだ後、かしめを実施して下さい。



- i) 各ケーブルともかした後、かしめ部には熱収縮チューブ等により絶縁する必要があります。熱収縮チューブによりかしめ部を絶縁する場合、下図のようになります。また、シールド線はむき出した部分全てを熱収縮チューブ等で覆って下さい。

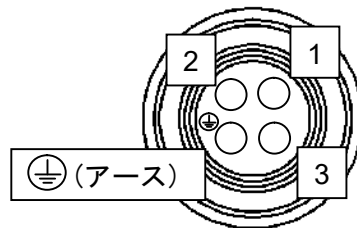


- j) かしたソケットコンタクト(③)をプラグ(④)にロックされるまで差し込んで下さい。装着後の状態は下図のようになります。この際にプラグの差し込み口とケーブルは、以下に示す通りとなるように注意して下さい。

i) 動力用コネクタ

プラグ側	1	—	U/T1	ケーブル側
	2	—	V/T2	
	3	—	W/T3	

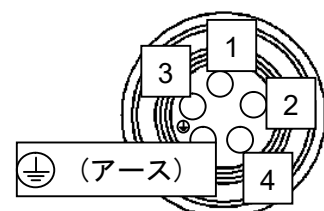
⊕ (アース) — シールド (⊕)



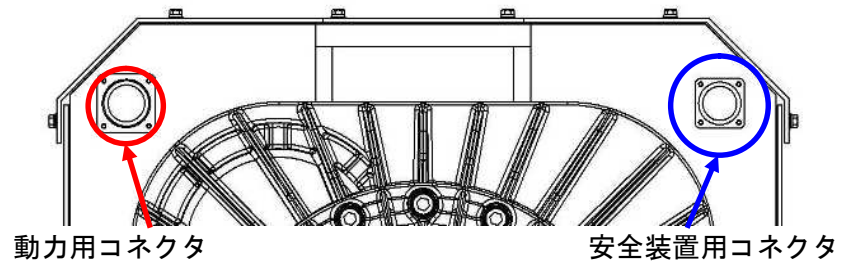
ii) 安全装置用コネクタ

プラグ側	1	—	+24V	ケーブル側
	2	—	X	
	3	—	使用しない	
	4	—	使用しない	

⊕ (アース) — シールド (0V)



- k) プラグ(④)とバックシェル(②)を接続して下さい。
- l) ケーブルクランプ(①)をバックシェル(②)と接続させ、ケーブルクランプのねじを締め付けて下さい。
- m) 製作したコネクタ (メス) と **ARG** 本体のコネクタ (オス) を接続し、確実にロックされるまで接続できることを確認して下さい。



コネクタ接続例

ARG 本体のアース接続

船体アースと ARG 本体のアース接続を実施して下さい。

ARG 本体のアース線接続方法は図 4-15 に示す通りです。

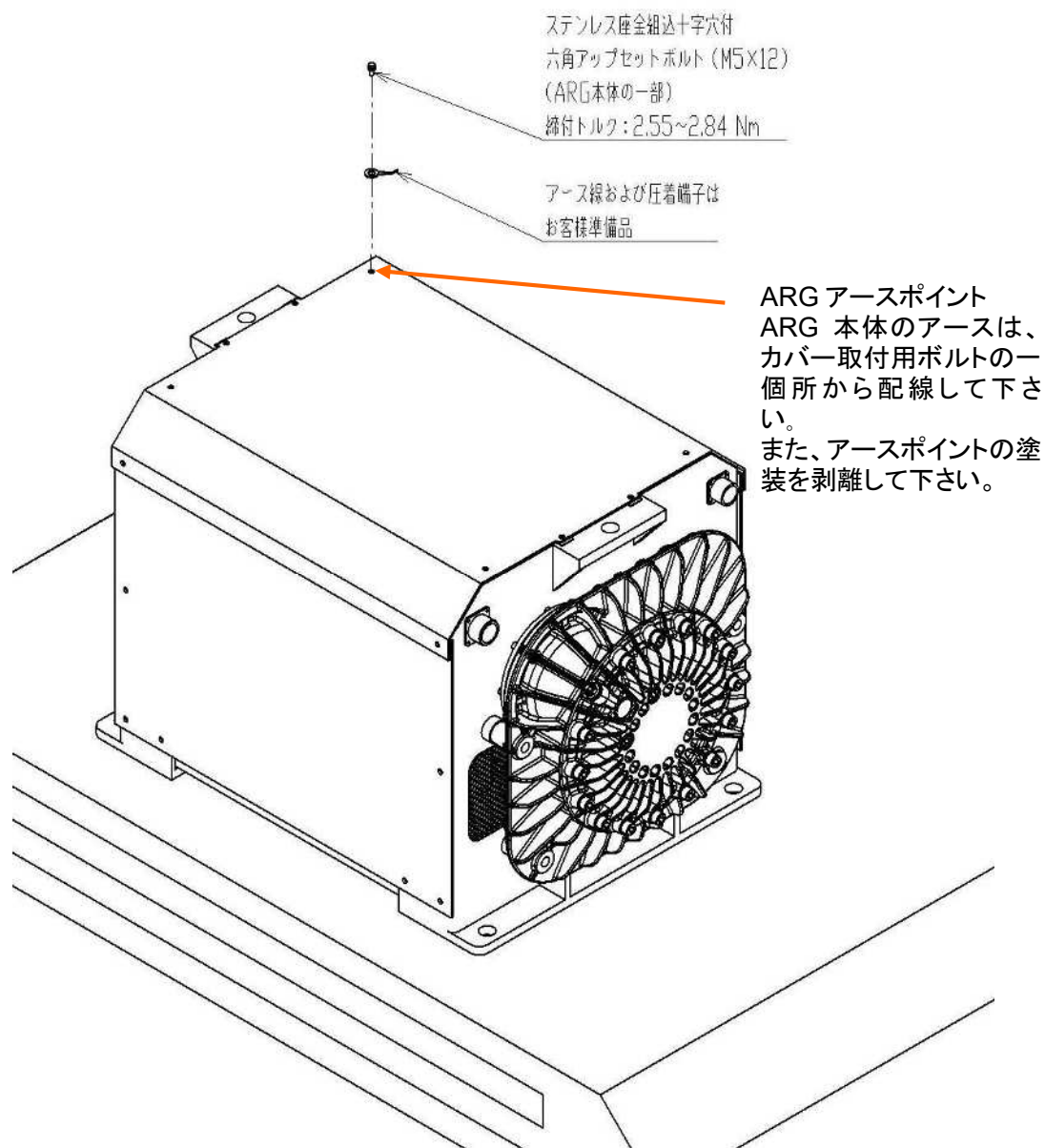






図 4-15 ARG 本体のアース線接続

5 試運転




5.1 試運転前に

試運転前に下記を実施して下さい。

(1) 別添の「Anti Rolling Gyro 取扱説明書」に記載された禁止事項を確認して下さい。

 危険	
	<p>ARG 本体のカバーを取り外さないで下さい。 ARG の作動中は、内部の部品が高速で回転しているため、けがの原因となります。</p>
	<p>ARG の通風口をふさがないで下さい。 ARG 本体、モータドライバの内部が高温となり、故障、火災の原因となります。</p>
	<p>ARG は、防水構造になっていません。海水/雨等にかかった時は、ARG を絶対に作動させないで下さい。 感電、故障の原因となります。</p>
	<p>運転中に異音、異常な振動等が発生した場合、またその他の何らかの異常に気付いたときは、直ちに電源を“OFF”にして、ARG を停止させて下さい。そのまま運転を続けると思わぬ事故を引き起こす原因となります。</p>
	<p>海上で運転する場合、全台数作動させて下さい。 搭載台数より少ない台数で運転されますと、過大な負荷がかかり故障の原因となります。</p>
	<p>ダンパに貼付されているサーモラベルが 80 もしくは 90 の箇所に色がついている場合は販売店に連絡して下さい。 船体の破損、ARG の故障、けがの原因となります。</p>
	<p>ダンパに油漏れがある場合は、販売店に連絡して下さい。 船体の破損、ARG の故障、けがの原因となります。</p>
	<p>ダンパのダンピング調整ねじを緩めないでください。 ダンパのダンピング調整ねじのスリップマークがずれている場合は、販売店に連絡をしてください。 船体の破損、ARG の故障、けがの原因となります。</p>

 **注意**

	<p>ARG の通風口から異物、粉塵等を入れないで下さい。 故障の原因となります。</p>
	<p>ARG の作動中は、ARG 本体に近づかないで下さい。 けがの原因となります。</p>
	<p>ARG はリモートスイッチ“OFF”後完全停止までには、約 1 時間かかります。完全停止するまで ARG 本体及びモータドライバに近づかないで下さい。</p>
	<p>けがの原因となります。</p>
	<p>ARG 作動中および、停止後しばらくの間は、高温となるため、ARG 本体に触れないで下さい。</p>
	<p>カバーの取付/取外しを行う場合または、内部点検を行う際は、ケーブルを破損させないように注意して下さい。</p>
	<p>故障の原因となります。</p>

- (2) 下記に示す付属の警告ラベル「使用禁止 荒天時、高波浪や強風時には使用しないで下さい。」を、**ARG** の ON/OFF を行うリモートスイッチの付近に貼り付けて下さい。



- (3) 表 5-1 に示す初期点検を実施して下さい。
本点検は教育を受けた専門の整備員が実施して下さい。

表 5-1 初期点検リスト (3/3)

初期点検リスト (3/3)

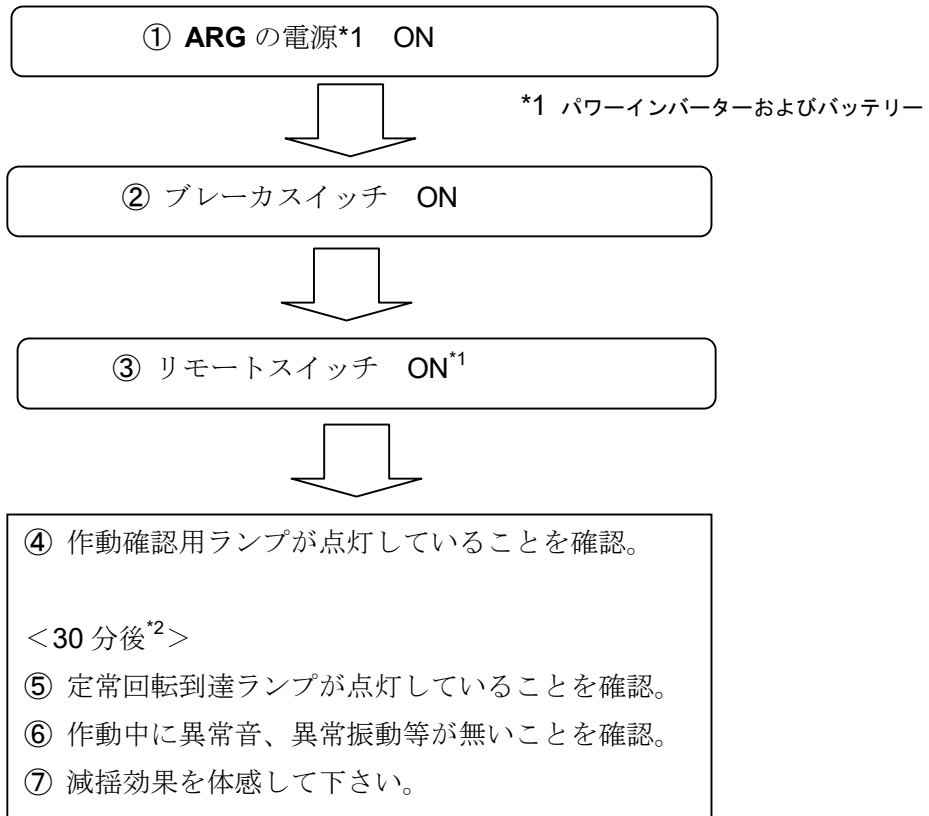
本点検は、真明工業のトレーニングを受けた専門の取扱業者が実施して下さい。

NO	点検箇所 (続き)	点検項目	基準	優先度	点検方法	結果	処置
4	作動確認	起動から1時間後の周波数モニタ	起動から1時間後において下記の通りであること。 MSM-12500T: タッチパネルで 140~158Hz MSM-17500T: タッチパネルで 130~160Hz MSM-25000T: タッチパネルで 110~133Hz MSM-37500T: タッチパネルで 100~114Hz MSM-5001: タッチパネルで 100~110Hz MSM-5001T: タッチパネルで 140~158Hz	◎	タッチパネルにて計測。	Hz	電源(発電機)の電圧、容量(電力)増加の改修を事前に要請。
		異常音、干渉音の確認	異常音、干渉音の無いこと。 ①ARG制御において、縦横的に変化を調査すること。 ②ARG制御から1mの位置 ③操舵室	◎	聴覚計または、聴取にて確認。 聴覚計にて計測。		回転数の低下 / 防振コムの使用 / ARGの交換等。 計測、記録のみ。
		騒音	①ARG制御から1mの位置 ②操舵室 ③客室	◎	目視 タッチパネルにて確認。	① dBA ② dBA ③ dBA	計測、記録のみ。
5	使用状況	付属の警告レベルの貼付 アラーム内容の確認	付属の警告レベルが、ARGの操作盤や見え易い箇所等に貼付されていること。	◎	目視 タッチパネルにて確認。 アラーム情報:6AL(過去4回分の記録) タッチパネル:アラーム内容をリセットすること。 一確認、記録後、アラーム内容をリセットすること。	アラーム内容 ① ② ③ ④	警告レベルの貼付を各々に要請。 確認、記録のみ。
		稼働時間の確認	—	◎	タッチパネルにて確認。 タッチパネル:メンテナンス情報:5.CHE →モータ稼働時間:5.23 (配線は10進数で表示)	累計稼働時間 Hr	確認、記録のみ。
		ARG及び振付制御関連機器の写真撮影 減速効果等の計測	GMF計測及び角速度/角速度一夕取り込み (計測時、タイムリーに下記条件を確認、記録する) ①計測日時 ②有線波高(船長等から聴取) ③船体状況確認(船かま方が、荒れている方が) ④操舵状態か、運航状態か ⑤計測場所	◎	計測装置にて計測。	—	計測、記録のみ。
			—	△	—	—	—

5.2 試運転方法

以下に示す要領に従い、**ARG** の作動を実施して下さい。

(1) 作動方法



*1) リモートスイッチを”ON”にした時、モータドライバのモニタから見えるパネルの数値が、表 5-2 に示す値であれば正常です。

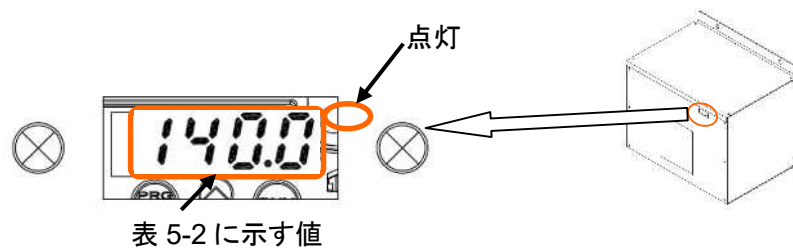


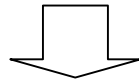
表 5-2 パネルの表示

経過時間	待機状態	0～30分	30分以降
パネルの表示	140～145Hz 間で点滅	0 → 順次増加	140～145Hz 間で停止

*2) リモートスイッチを”ON”にして、**ARG** を作動させた後、定常運転までには、約 30 分かかります。

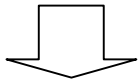
(2) 停止方法

① リモートスイッチ OFF*1



② 作動確認用ランプが消灯していることを確認。
③ 定常回転到達ランプが消灯していることを確認。

④ ブレーカスイッチ OFF

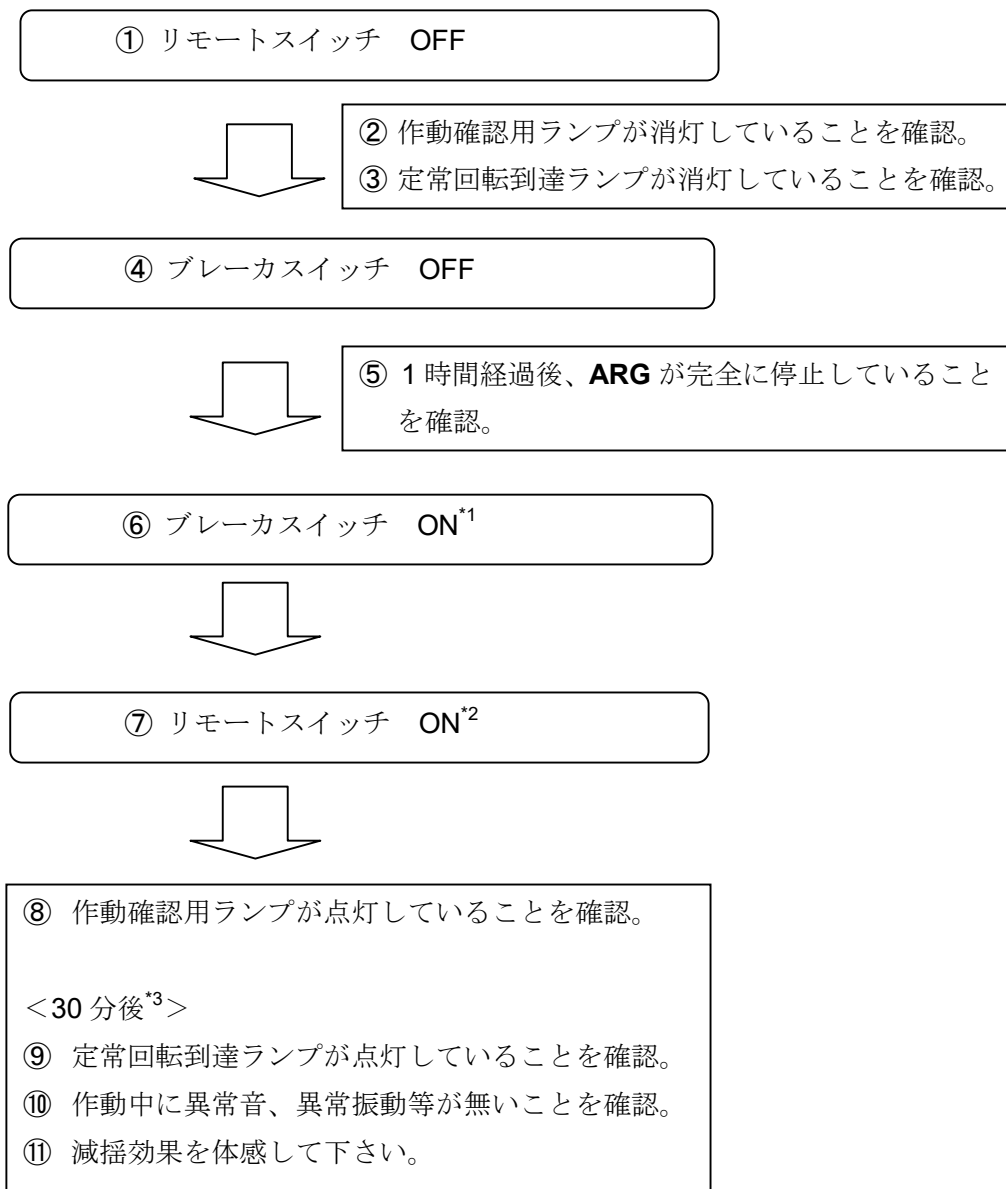


⑤ ARG の電源 OFF

*1) 停止により **ARG** への電源供給を断っても、**ARG** は直ぐに完全停止せず、徐々に減速を始めます。完全停止には約 1 時間を要します。

5.3 再起動方法

何らかの異常等により **ARG** の再起動を実施する場合



*1) **ARG** 本体が完全に停止する前にスイッチを“ON”として再運転を実施すると、モータドライバの過電流保護が働き自動的に停止することがあります。その場合にはモータドライバの過電流保護を解除し、再起動を行って下さい。**ARG** リモートスイッチ“OFF”後、最低1時間は再起動しないことをお勧めします。

*2) リモートスイッチを“ON”にした時、モータドライバのモニタから見えるパネルの数値が、表 5-2 に示す値であれば正常です。

*3) リモートスイッチを“ON”にして、**ARG** を作動させた後、定常運転までには、約30分かかります。

5.4 瞬時自動復帰機能

(1) 機能の説明

ARG には、主電源を一時的に遮断しても停止することなく、自動的に復帰できる機能が設けられております。瞬時自動復帰機能は、下記のようなご使用において、**ARG** を自動的に復帰させたい場合に有効です。

- ・ 船内への電力供給に陸上電源を一時的にご使用される際に **ARG** を作動し、途中から船内電源（発電機）へ切り換える場合
- ・ 船内電源（発電機）が複数台あり、**ARG** の作動中、用途に合わせた容量の電源に切り換える場合

尚、本機能をご使用する場合は別に配線を設けたり、別部品を設ける必要はありません。

(2) 瞬時自動復帰の手順

本機能は、お客様による **ARG** の操作を全く必要としません。

表 5-3 に、主電源が一時的に遮断され **ARG** が自動復帰するまでの手順を示します。ご使用される場合は、必ず本表を確認し、**ARG** の各状態における、作動確認用ランプおよび定常回転到達ランプの点灯の状態をご確認下さい。

表 5-3 瞬時自動復帰の手順

No.	操作	ARG の状態	主電源	リモートスイッチ	作動確認用ランプ	定常回転到達ランプ
1	ARG の運転	定常回転	ON	ON	点灯	点灯
2	主電源切り換え (主電源を OFF)	停止 (回転数の減速)	OFF		消灯	消灯
3	電源切り換え (主電源を ON)	自動復帰開始	ON		点灯	消灯
4	—————	定常回転	ON		点灯	点灯

注1) 瞬時自動復帰機能をご使用される場合、主電源を一時的に遮断する際は、必ずリモートスイッチを随時 ON 状態にて使用して下さい。途中で、リモートスイッチの ON/OFF 切り換えを行うと、**ARG** に過電流が流れ、モータドライバの保護機能が作動し完全停止してしまう場合があります。

注2) **ARG** を最初に起動される場合は、5.1 項「試運転方法」に従い、以下の手順で実施して下さい。リモートスイッチが ON の状態で、主電源やブレーカスイッチで **ARG** の起動を行うと、瞬時自動復帰機能が作動し、**ARG** の起動に時間がかかります

①主電源 ON → ②ブレーカスイッチ ON → ③リモートスイッチ ON

5.5 安全装置

ARG が危険な状態で使用された時に **ARG** の運転を自動的に停止する機能が設けられています。

下記のような状況でご使用されると安全装置が作動します。

- ・高波浪時における使用で、**ARG** が過負荷となった場合。
- ・**ARG** を設置している周囲温度が高温となった場合。

安全装置が作動すると、リモートスイッチが"ON"時に、作動確認用ランプ、定常回転到達ランプが消灯します。(表 5-4 を参照して下さい。)

安全装置が作動したと思われる場合、7 項の表 7-1, No.5 に従い、販売店までお問い合わせ下さい。

表 5-4 安全装置の作動

No.	操作	ARG の状態	主電源	リモートスイッチ	作動確認用ランプ	定常回転到達ランプ
1	安全装置作動	停止 (回転数の減速)	ON	ON	消灯	消灯

6 船体検査

ARG の搭載に伴う、船体の臨時検査に関しましては、最寄りの小型船舶検査機構までお問い合わせ下さい。

7 異常時の処置

- (1) ARG を据え付け後、異常が発生した場合、表 7-1 の要領に従って点検を実施して下さい。
- (2) 表 7-1 に該当しない場合は、本書裏面に記載してあるお買い上げ販売店もしくは当社までお問い合わせ下さい。

表 7-1 異常時の対応方法

No.	項目	原因	対応方法
1	スイッチを入れても作動しない	動力系の誤配線	以下に示す内容を含め、配線の確認をして下さい。 <ul style="list-style-type: none"> 一次電源が断線していないことを確認して下さい。 モータドライバの R/L1,S/L2,T/L3 端子が電源側に接続されていることを確認して下さい。 モータドライバの U/T1,V/T2,W/T3 端子が ARG 側に接続されていることを確認して下さい。 本書の配線図に記載されていないモータドライバの端子を使用していないか確認して下さい。 発電機から ARG まで配線が接続されていることを確認して下さい。 モータドライバの接続端子部に金屑等の異物が付着していないことを確認して下さい。
		信号系の誤配線 ／接続不良	以下に示す内容を含め、配線の確認をして下さい。 <ul style="list-style-type: none"> リモートスイッチの配線が断線していないことを確認して下さい。 リモートスイッチ OFF 時に、モータドライバの"CM1"-"SW"が短絡していないことを確認して下さい。 安全装置の配線が断線していないことを確認して下さい。 モータドライバの接続端子部に金屑等の異物が付着していないことを確認して下さい。 使用ケーブルに接続不良が無いか導通確認をして下さい。
		ブレーカスイッチが"ON"になっていない	本書に記載の作動順序により、再度ブレーカのスイッチを"ON"にして下さい。
		バッテリーの容量不足	<ul style="list-style-type: none"> 発電機容量が使用台数分の ARG 消費電力より大きくなっているか確認して下さい。 発電機の相数とモータドライバの R/L1,S/L2,T/L3 端子に接続されている相数が合致しているか確認して下さい。
		ARG が完全に停止する前に再起動させた	<ul style="list-style-type: none"> ARG を完全に停止させてから、本書に記載の再起動方法に従い、ARG を再起動して下さい。 主電源を投入する前に、リモートスイッチを ON にしていたかを確認して下さい。必ず、リモートスイッチを OFF にし、主電源を投入後、リモートスイッチを ON にして下さい。
		リモートスイッチを使用していない	モータドライバの"CM1"-"SW"間に本書に記載のリモートスイッチを設置して下さい。
		リモートスイッチが"ON"になっていない	<ul style="list-style-type: none"> リモートスイッチを"ON"にして下さい。
		リモートスイッチの誤選定	本書に規定された以外のスイッチを使用していないか確認して下さい。
		起動手順の間違い (瞬時自動復帰機能の作動)	下記に示す手順で ARG を再起動させて下さい。 ① 発電機 ON ② ブレーカスイッチ ON ③ リモートスイッチ ON

表 7-1 異常時の対応方法

No.	項目	原因	対応方法
2	スイッチを入れたとブレカが落ちる	動力系の誤配線	<ul style="list-style-type: none"> 発電機から ARG までの動力系配線が短絡，地絡していないことを確認して下さい。 アース線，シールド線が本書に記載のアース端子以外に接続されていないか確認して下さい。 本書の配線図に記載されていないモータドライバの端子を使用していないか確認して下さい。 モータドライバの接続端子部に金屑等の異物が付着していないことを確認して下さい。
		漏電	<ul style="list-style-type: none"> 発電機から ARG までの動力系配線が短絡，地絡していないことを確認して下さい。 アース線，シールド線が本書に記載のアース端子以外に接続されていないか確認して下さい。 本書に記載されていないモータドライバの端子を使用していないか確認して下さい。 モータドライバの接続端子部に金屑等の異物が付着していないことを確認して下さい。
3	作動確認用ランプが点灯しない	信号系の誤配線	<p>以下に示す内容を含め、配線の確認をして下さい。</p> <ul style="list-style-type: none"> “+24”-“Y1”間に作動確認用ランプが接続されているか確認して下さい。 アース線，シールド線が本書に記載のアース端子以外に接続されていないか確認して下さい。 モータドライバの接続端子部に金屑等の異物が付着していないことを確認して下さい。
		ランプの誤選定	<ul style="list-style-type: none"> 本書に規定された定格のランプ(+24VDC，定格50mA以下)が選定されているか確認して下さい。
		ランプ球の切れ	<ul style="list-style-type: none"> ランプ球を交換して下さい。
		接続不良	<ul style="list-style-type: none"> 作動確認用ランプの配線が断線していないことを確認して下さい。
4	定常回転到達ランプが点灯しない	信号系の誤配線	<p>以下に示す内容を含め、配線の確認をして下さい。</p> <ul style="list-style-type: none"> “+24”-“Y2”間に定常回転到達ランプが接続されているか確認して下さい。 アース線，シールド線が本書に記載のアース端子以外に接続されていないか確認して下さい。
		ランプの誤選定	<ul style="list-style-type: none"> 本書に規定された定格のランプ(+24VDC，定格50mA以下)が選定されているか確認して下さい。
		ランプ球の切れ	<ul style="list-style-type: none"> ランプ球を交換して下さい。
		接続不良	<ul style="list-style-type: none"> 定常回転到達ランプの配線が断線していないことを確認して下さい。
5	起動後，もしくは作動中に停止する	発電機の容量不足	<ul style="list-style-type: none"> 発電機容量が使用台数分の ARG 消費電力より大きくなっているか確認して下さい。 発電機の相数とモータドライバの R/L1,S/L2,T/L3 端子に接続されている相数が合致しているか確認して下さい。 ARG に供給している発電機が他の大きな電力機器(エアコン等)にも使用され、容量が不足してしまうことがないか確認して下さい。
		他機器を起動させたことによる電源の瞬断	<ul style="list-style-type: none"> 他機器の起動による突入電流により、瞬間的に電圧が低下し、ARG が停止することがありますので、各種機器を作動させた後に、ARG を起動させて下さい。

表 7-1 異常時の対応方法

No.	項目	原因	対応方法
5	起動後、もしくは作動中に停止する	安全装置の作動	<ul style="list-style-type: none"> ARG の周囲温度が高い場合、荒天時もしくは、高波高で使用された場合は ARG が停止することがあります。ARG の周囲温度が規定温度以下に下がるように換気をして頂くと共に販売店までお問い合わせ下さい。
6	ARG を起動させると、GPS、無線ラジオ等の機器にノイズが発生する	ARG が発生するノイズが重畳する	<ul style="list-style-type: none"> ARG の配線にシールド線が使用されていることを確認して下さい。 使用されているシールド線が、本書に指定のアース点に両端接地されていることを確認して下さい。 機器から ARG、及び ARG の配線の距離を離して下さい。(AM ラジオは、場所によりノイズが入る事があります。) ARG のアースが船体アースに接続されていることを確認して下さい。 魚群探知機の映像が乱れる場合は、感度を調整して下さい。感度の調整は、魚群探知機の取扱説明書を参照して下さい。
7	発電機電源で ARG を運転中、IH 等の電子機器が起動できない	ARG が発生する高調波が重畳する	<ul style="list-style-type: none"> 使用する AC 電源機器 (エアコンや温水器等) を増やして下さい。
8	ARG から異音・振動が発生する	回転方向の間違い	<ul style="list-style-type: none"> ARG の S/N とモータドライバの S/N が合致していることを確認して下さい。 モータドライバの U/T1,V/T2,W/T3 端子と ARG の U,V,W ケーブルの接続を確認して下さい。
		共振の影響	<ul style="list-style-type: none"> 起動途中では ARG に機械的な共振点があるため、定常回転に到達するまで待って下さい。 床部材、壁部材等が共振している場合は、その部材の強度/剛性を増加させる処置を取って下さい。
		環境温度の影響	<ul style="list-style-type: none"> 環境温度が低いと、特に起動時にベアリング付近から音が発生することがあるため、定常回転に到達してしばらくの後、異音がなくなることを確認して下さい。
9	ダンパからのオイル滲み/漏れ発生	ダンパの初期なじみ	<ul style="list-style-type: none"> ダンパ製造時のシール周辺に付着したオイルが一時的に出てくる可能性があります。一度ふき取って、再度漏れを確認ください。 漏れが継続する時には、販売店まで連絡下さい。

(注) ARG を再起動する方法は、本書 5 項「試運転」を参照して下さい。

8. 点火保護(Ignition Protection)

ARG65T は UL1500 “STANDARD FOR IGNITION-PROTECTION TESTFOR MARINE PRODUCTS-EDITION3” に従い、モータドライバ、パワーインバータを除いて、構造評価、試験評価を実施し、Ignition Protection の要求を満足しております。

Sales Agent
販売店

Manufacture
製造業者



ANTI ROLLING GYRO

TOHMEI

TOHMEI INDUSTRIES CO., LTD.

System Product Department **ARG** Group

東明工業株式会社

システム製品事業部 **ARG** グループ

Address : 51 Kosaka, Haruki, Togo-cho, Aichi-gun, Aichi, 470-0162 JAPAN

住所 : 〒470-0162

愛知県愛知郡東郷町大字春木字小坂 51

TEL : +81-561-38-5888

電話番号 : 0561-38-5888